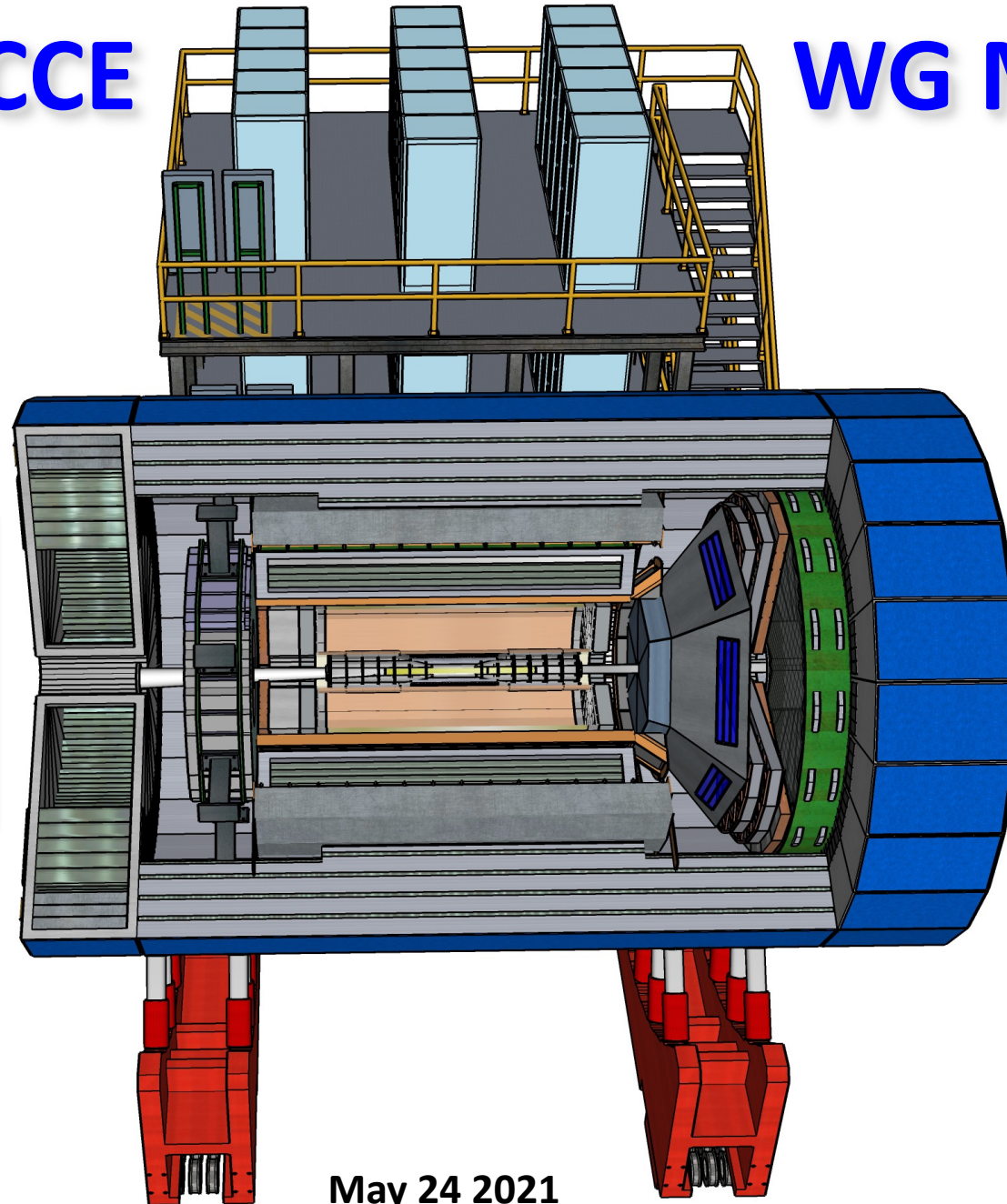


PID@ECCE

WG MEETING



Greg Kalicy



Xiaochun He



- PID WG meetings
- Technologies and configuration
- Fun4All Simulations
- Schedule

May 24 2021

Meetings:

- Bi-weekly (<https://doodle.com/poll/qk25pb2sh6buimdd>) + ad-hock called meetings when needed
- At least once per month joined meetings with Tracking WG

Documentation:

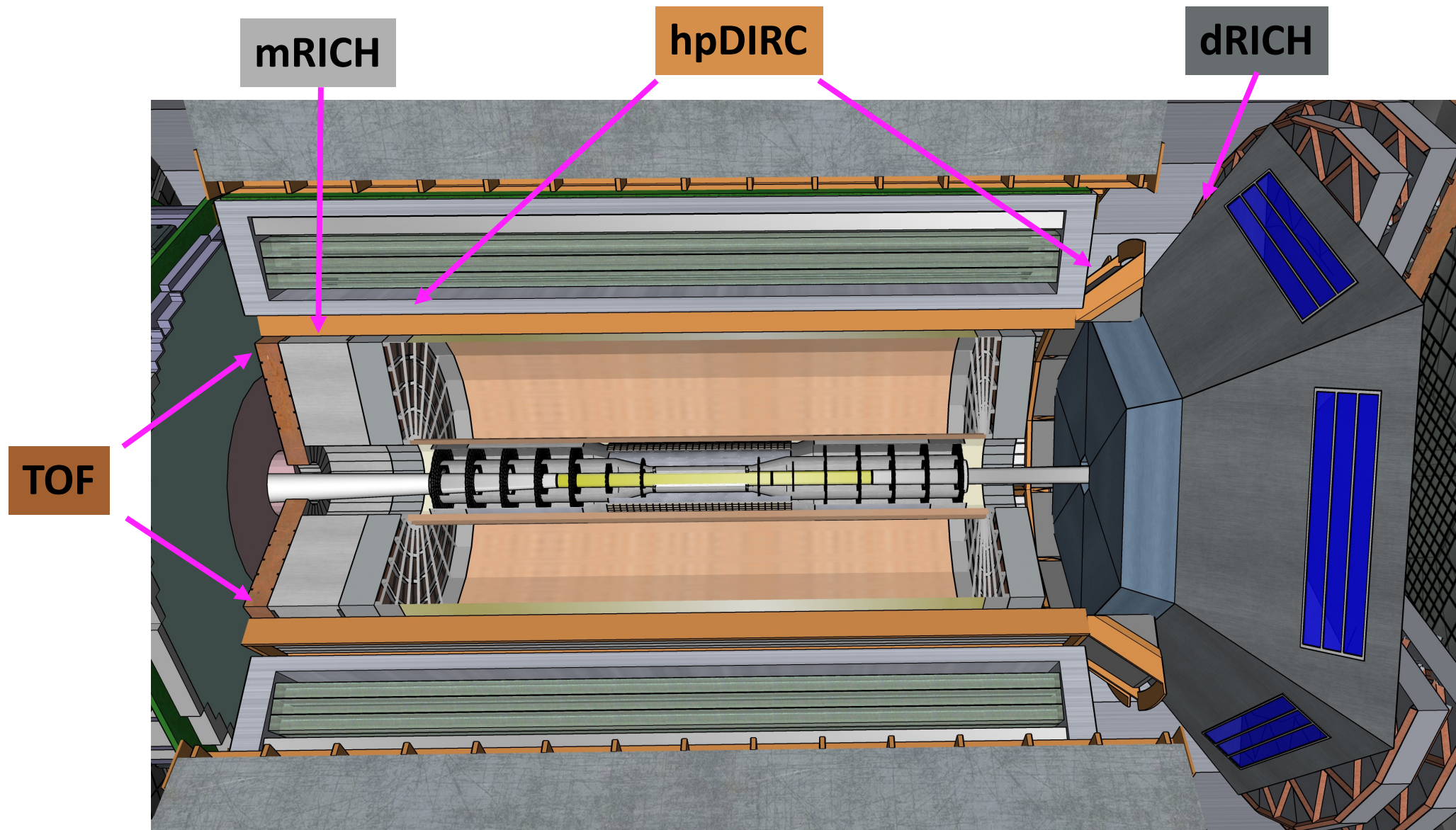
- Wiki with basic info, meetings, and links:
https://wiki.bnl.gov/eicug/index.php/ECCE_Detector#ECCE_Particle_ID

Porting PID systems to ECCE fun4all (May 19th, 20th):

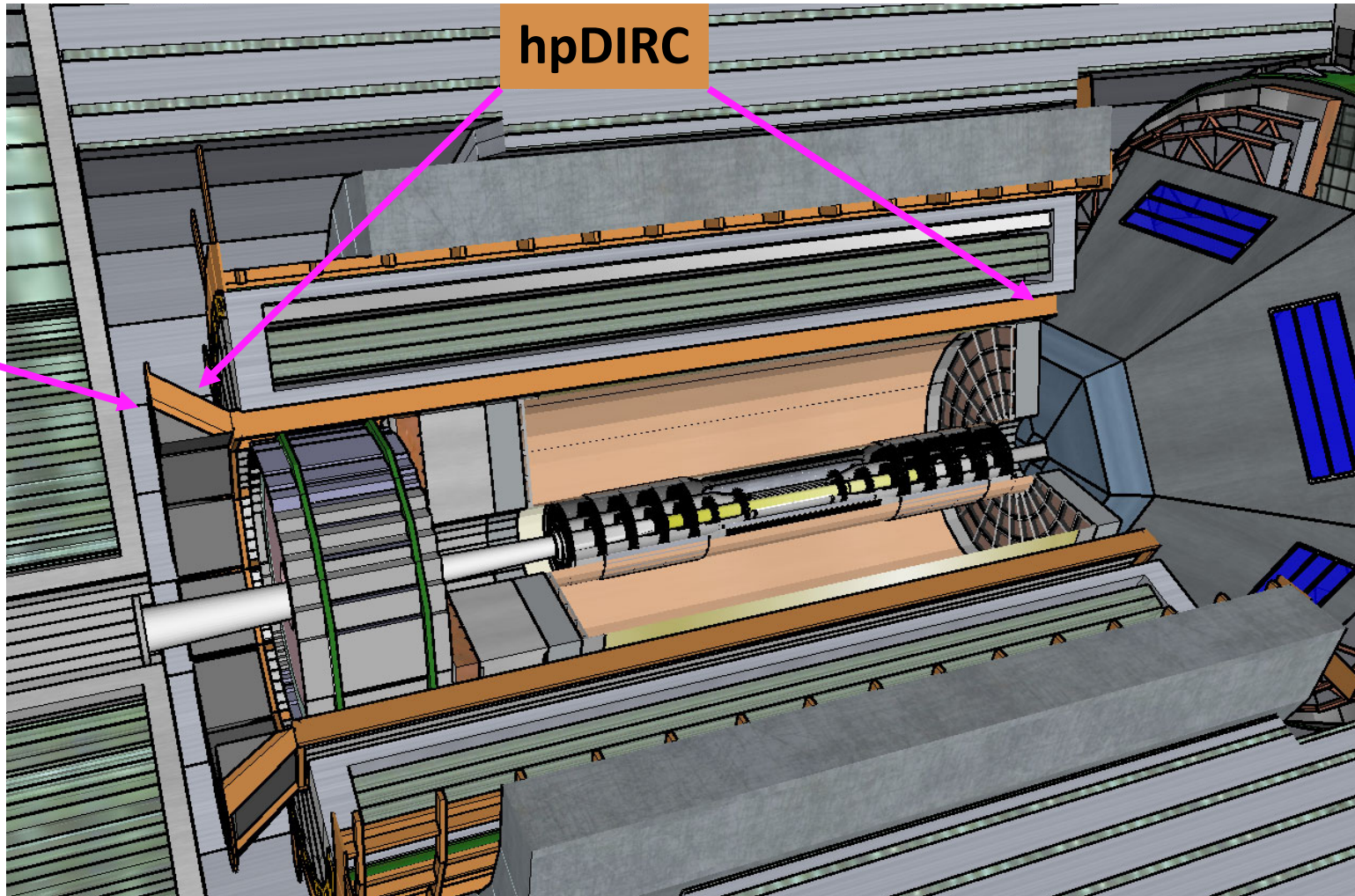
- **mRICH** - already implemented, perfect as template! (Murad Sarsour)
- **TOF** – already implemented. (Wei Li)
- **dRICH** – in progress, active help from Evaristo! (Christopher Dilks, Sebastian Tapia, Cristiano Feneli)
- **hpDIRC** – in progress, active help from Chris Pinkenburg! (Nilanga Wickramaarachchi, Roman Dzhygadlo)

Optimization with machine learning (Cristiano Fenelli)

1.5T MAGNET DETECTOR IN SKETCHUP



DIRC PRISM ON ELECTRON SIDE



MOVING FORWARD

▪ **PRELIMINARY** Deadlines:

1. June 1st - Technologies and configurations recognition
2. June 15th - Preliminary evaluation (stand alone simulation, advancement of R&D)
3. June 29th - ECCE Fun4All implementation
4. July 27th - Physics capability with PID validation
5. August 31st - Fine-tuning of geometries and locations
6. September 28th - Final Evaluation
7. October 26th - Proposal writing

