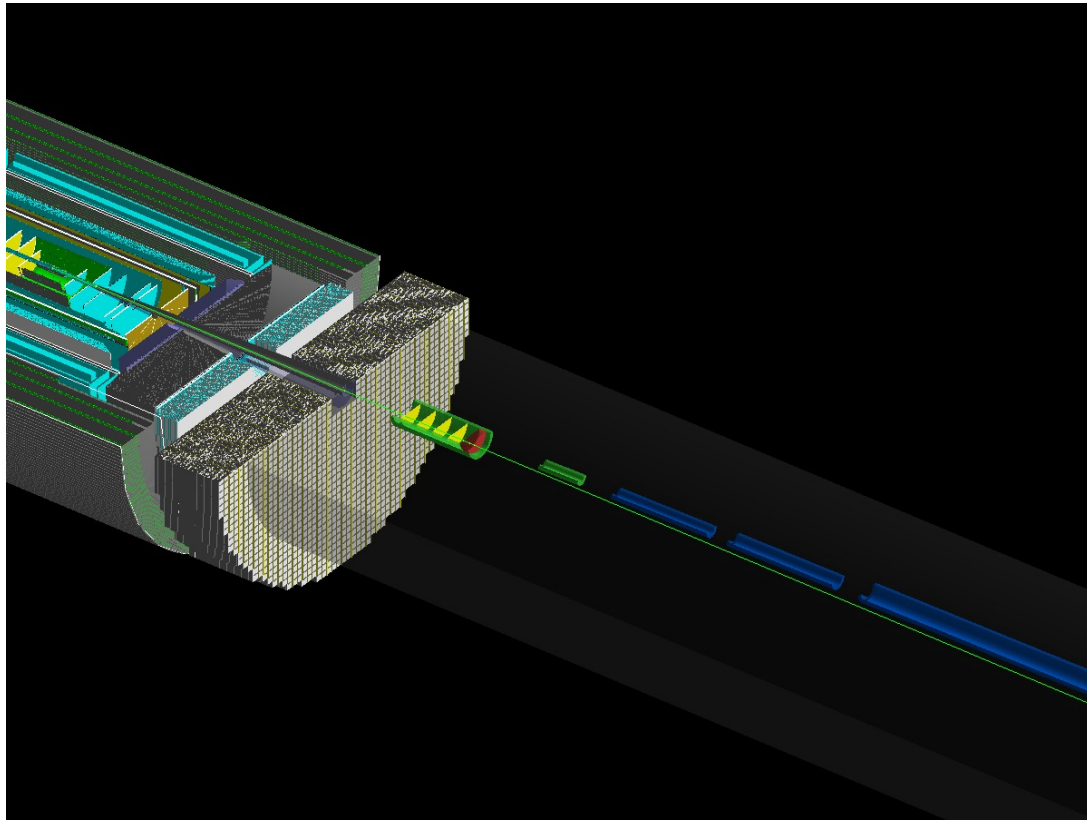


B0 ZDC at EIC IP6

Quan Wang

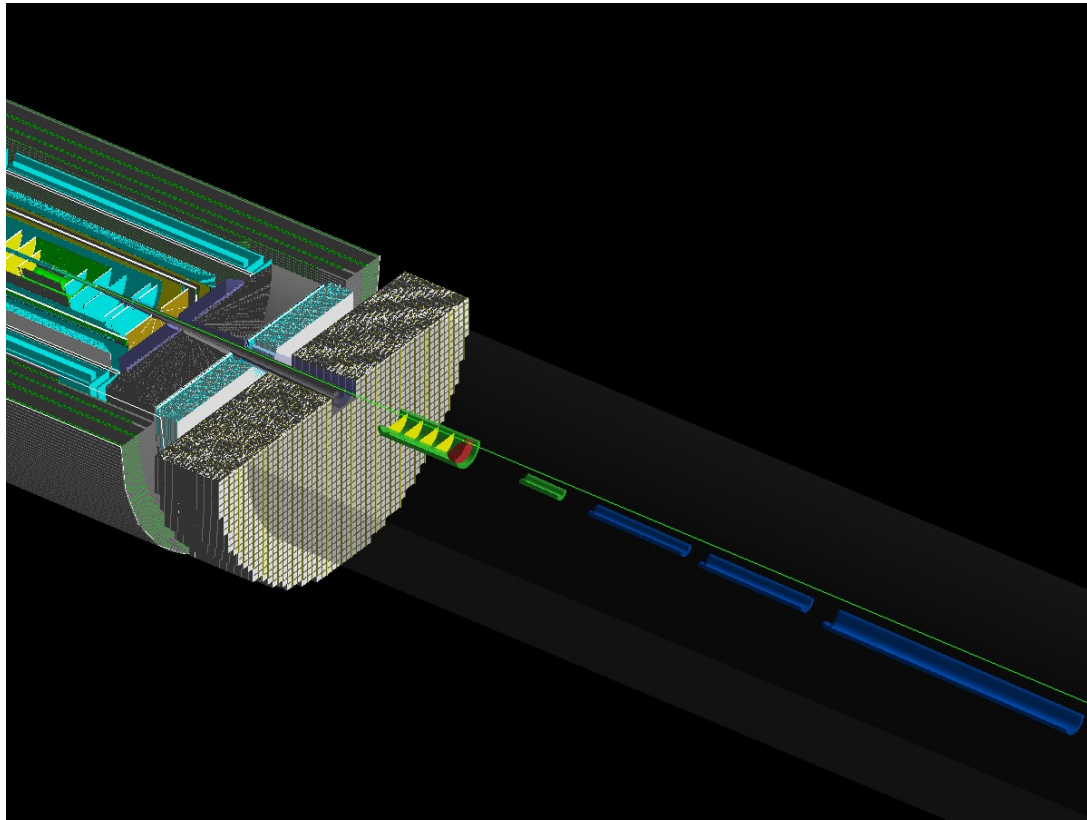
KU

ZDC B0



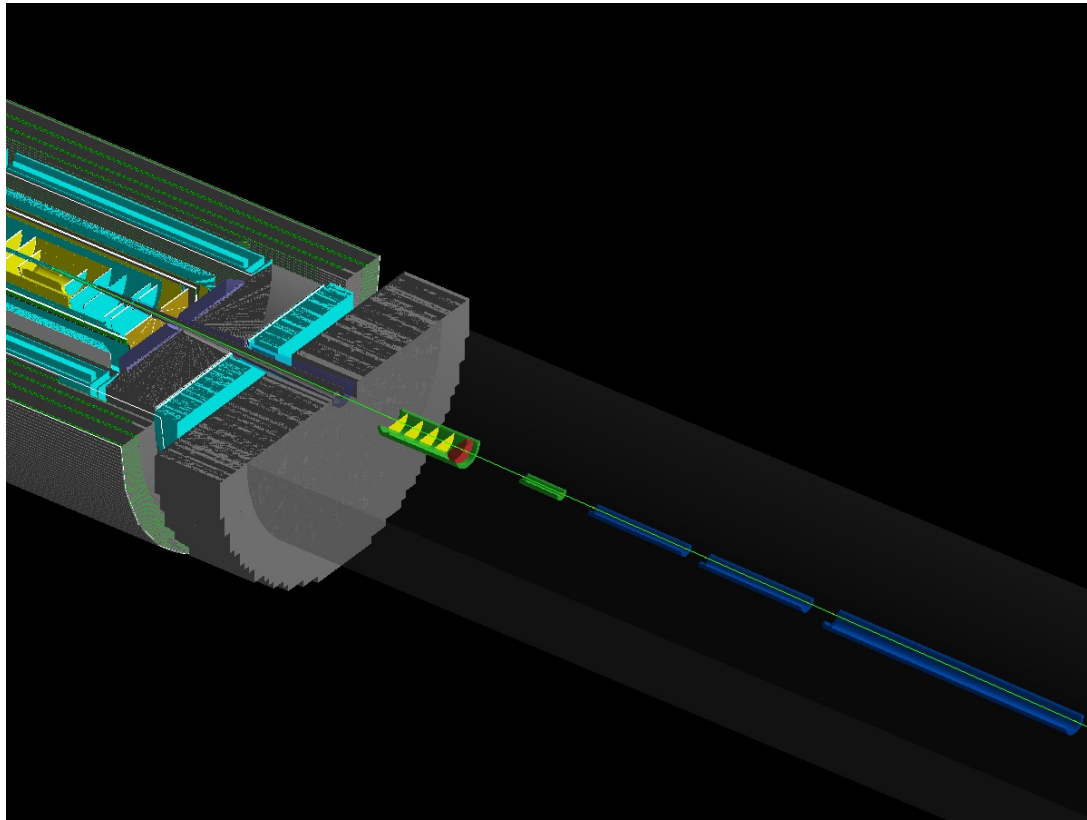
- Before coordination correction
- Beam direction (0,0,+)

ZDC B0



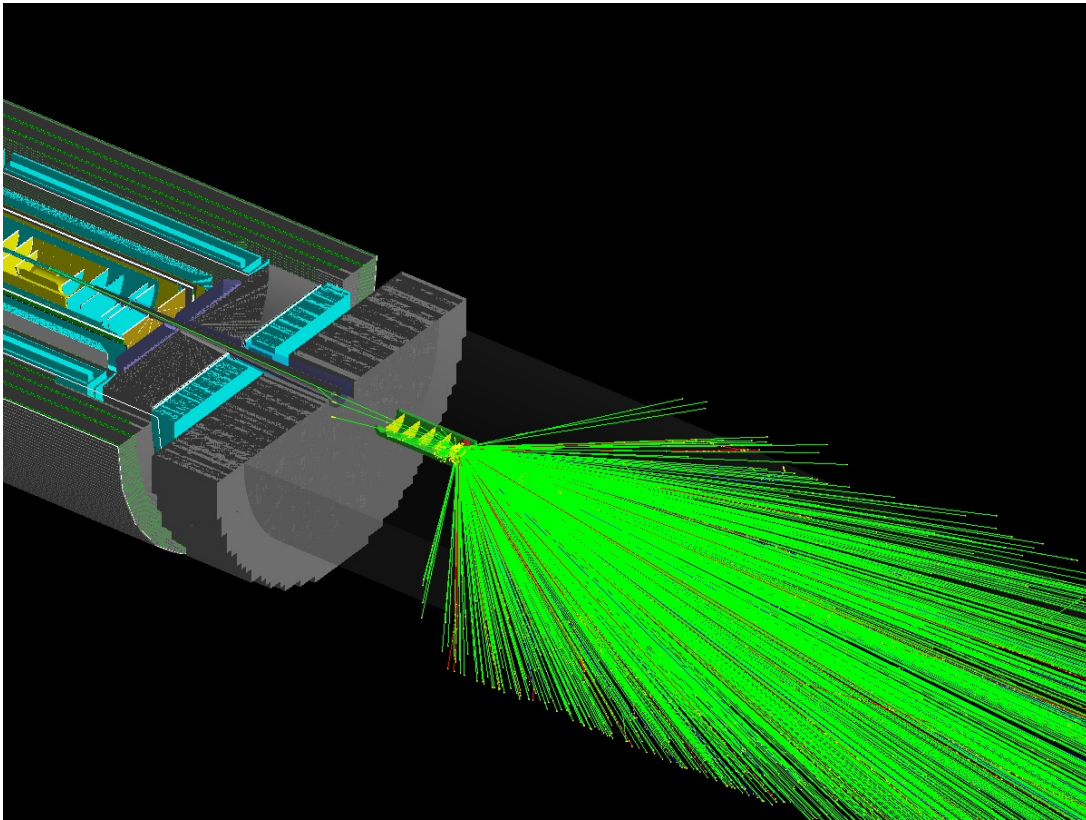
- After coordination correction
- Beam direction (0,0,+)

ZDC B0



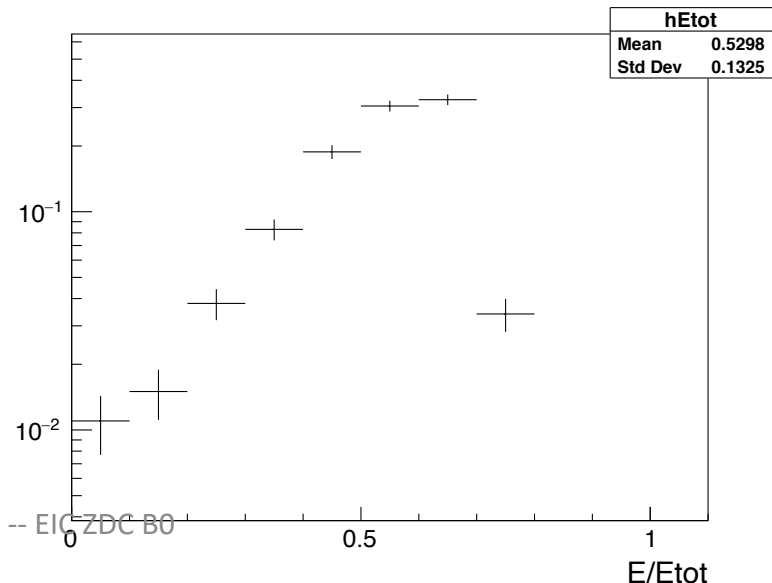
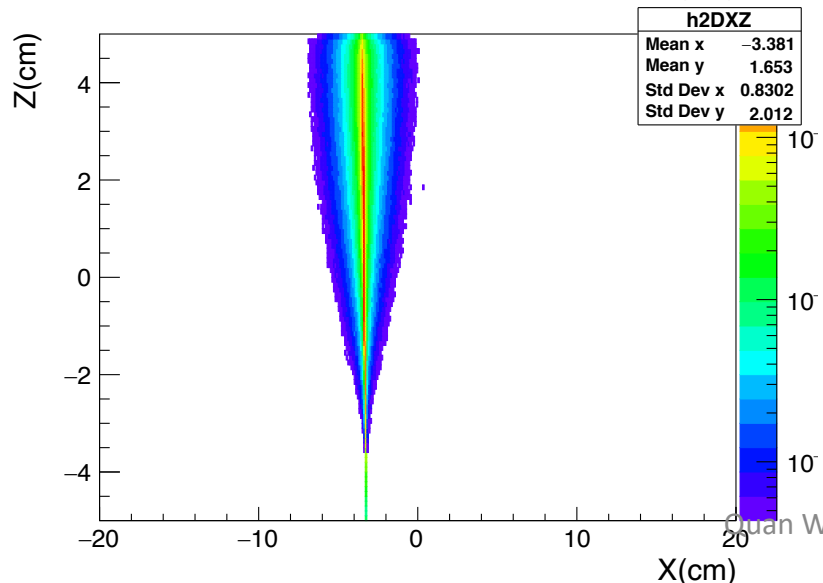
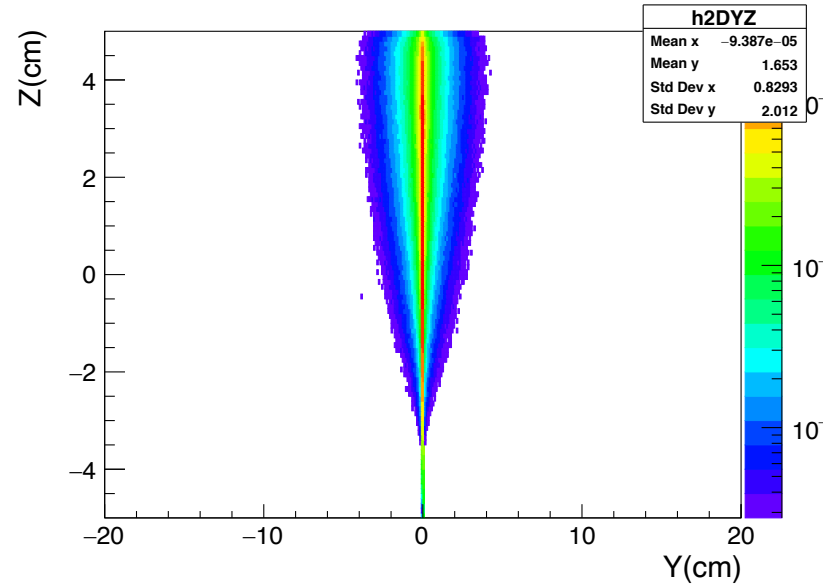
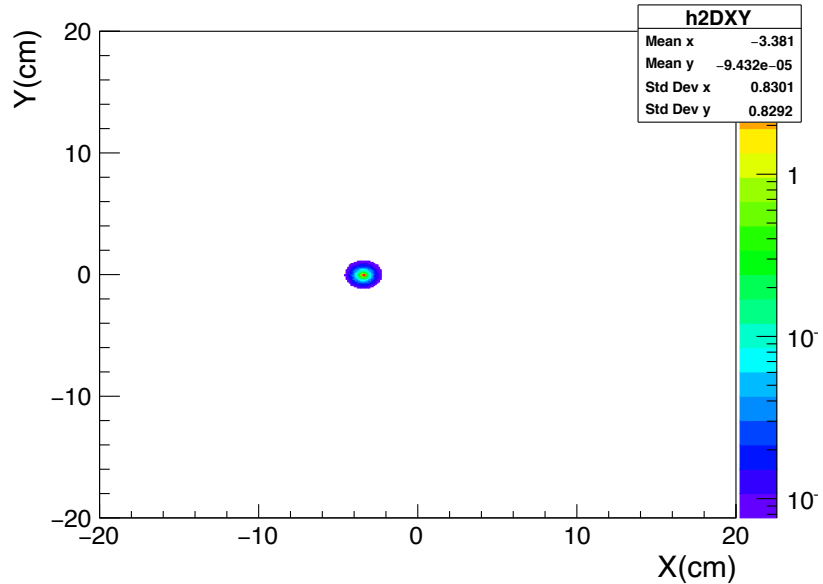
- After coordination correction
- Beam direction $(-E \cdot 26 \text{ mrad}, 0, E)$

ZDC B0

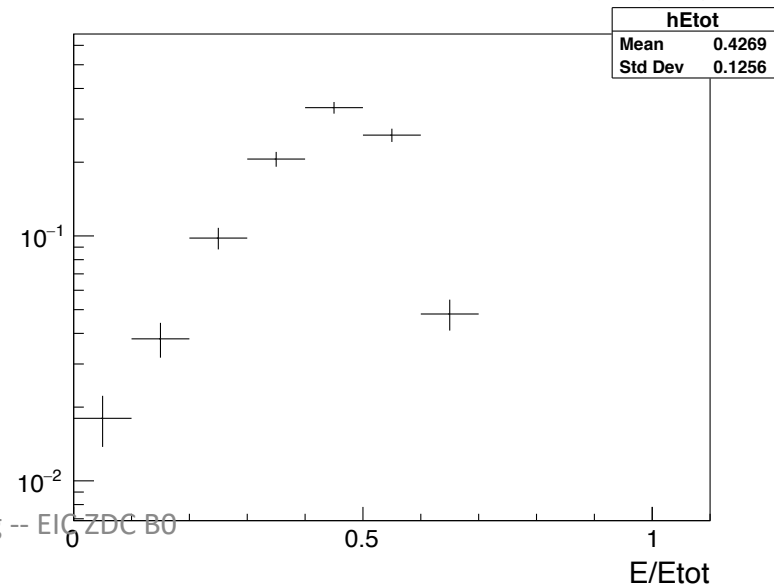
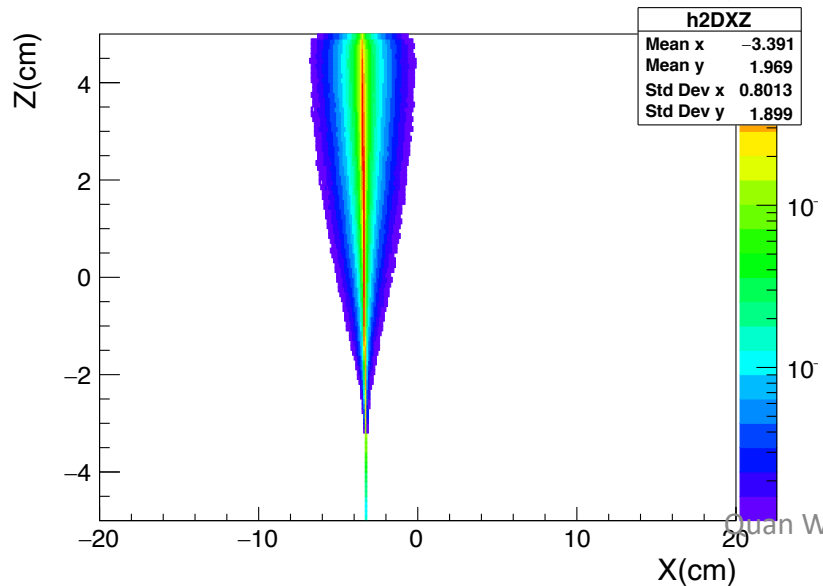
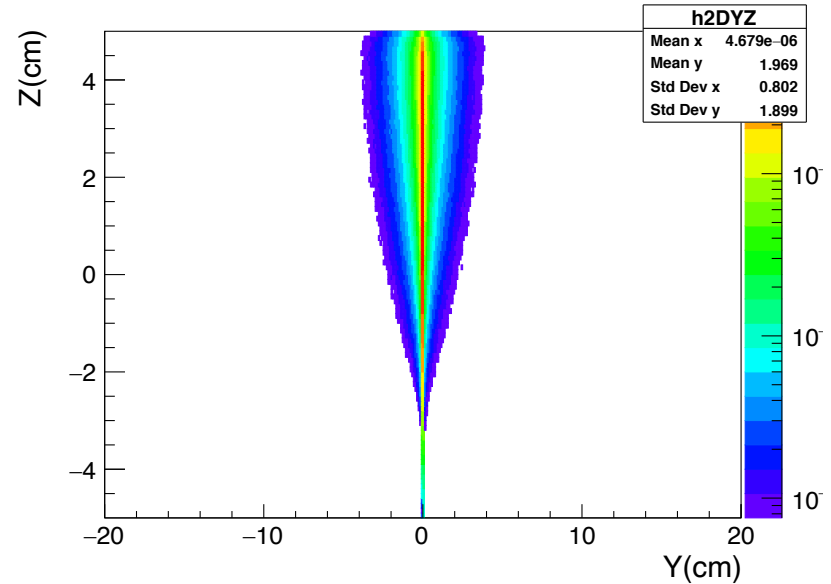
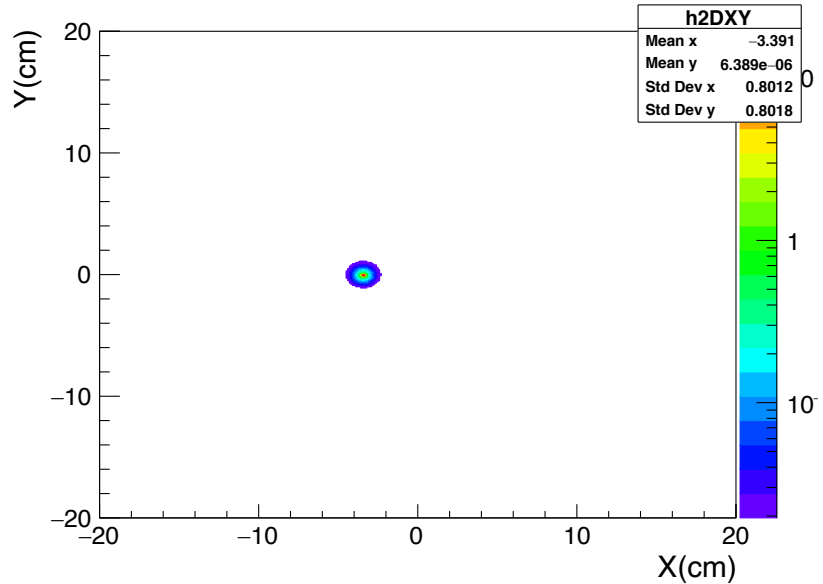


- After coordination correction
- Beam direction $(-E \cdot 26 \text{ mrad}, 0, E)$
- Gamma, E
 - 100 MeV
 - 300 MeV
 - 500 MeV

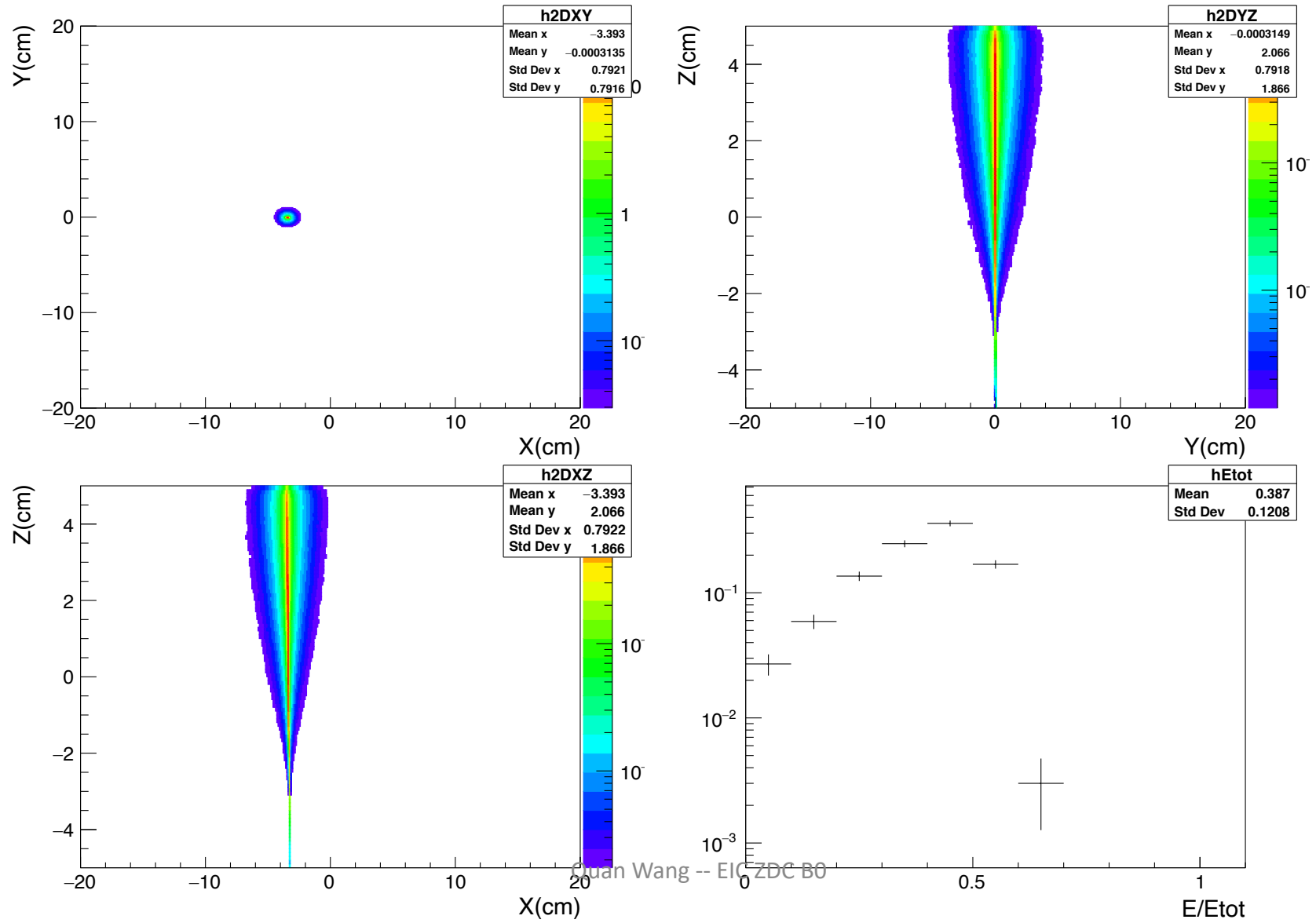
ZDC B0 Gamma 100 MeV



ZDC B0 Gamma 300 MeV



ZDC B0 Gamma 500 MeV



ZDC B0 Gamma 1 GeV

