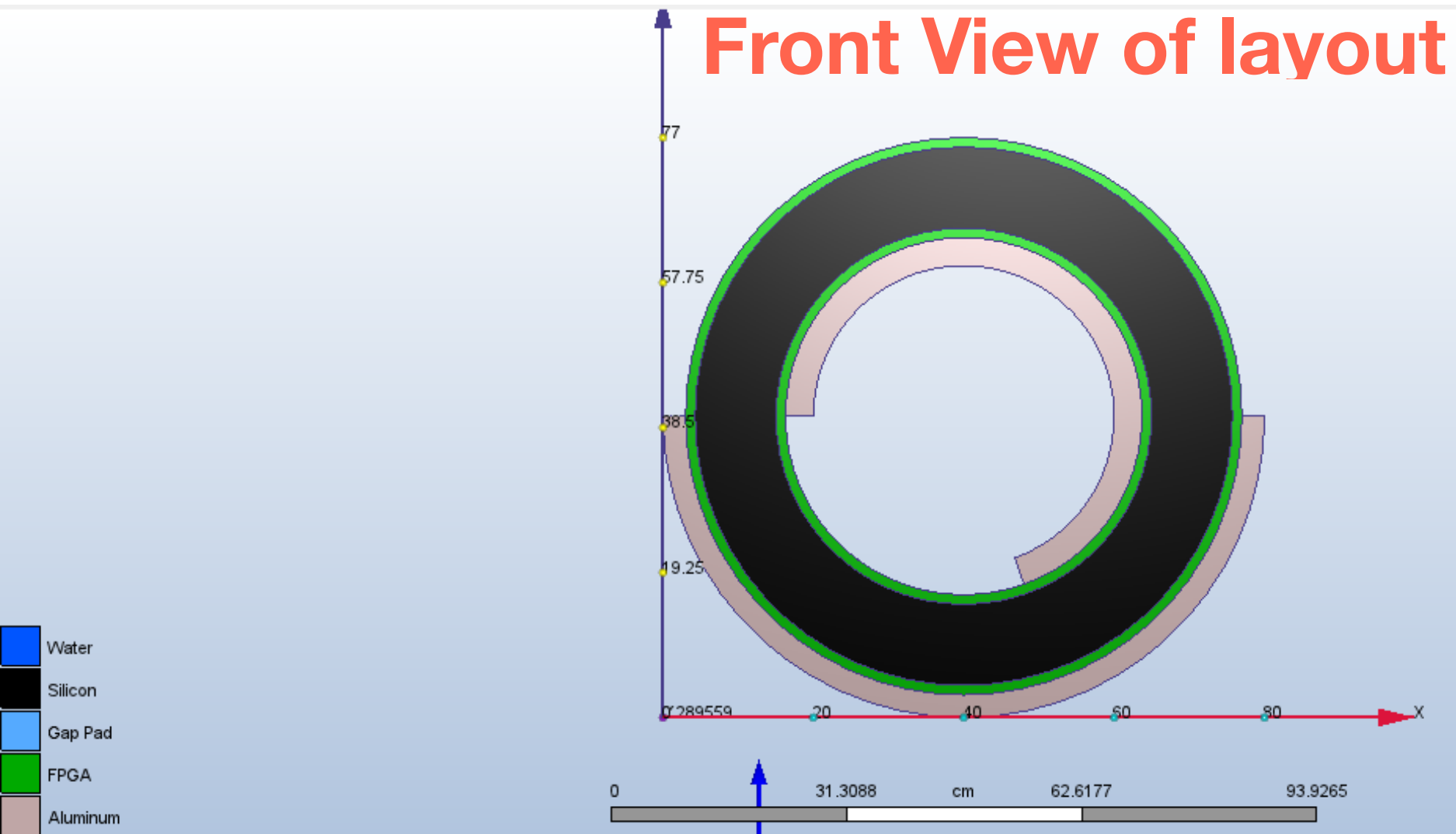


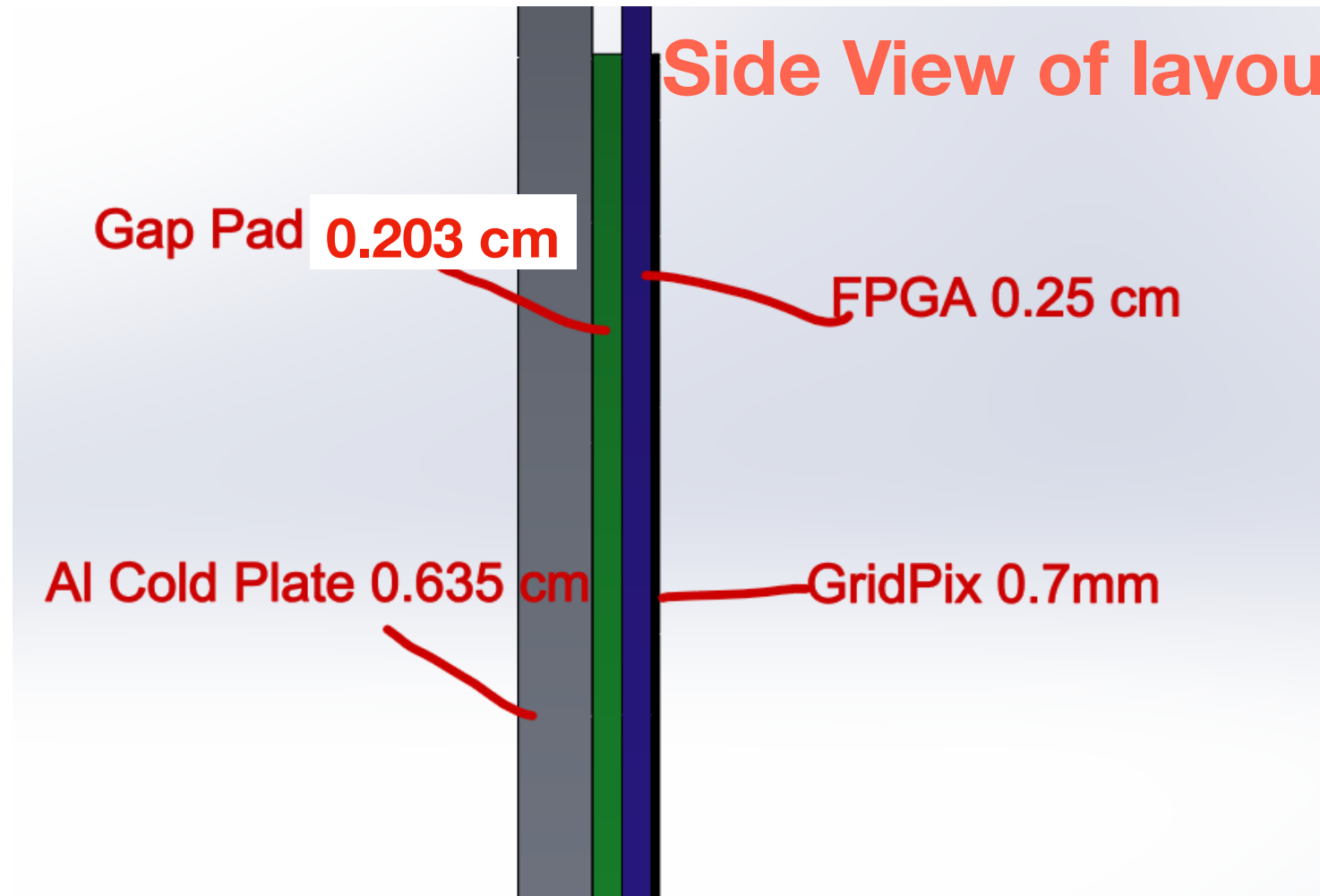
# Low momentum PID at High B-field with GridPix

## Update on: Thermal Management

**Front View of layout**

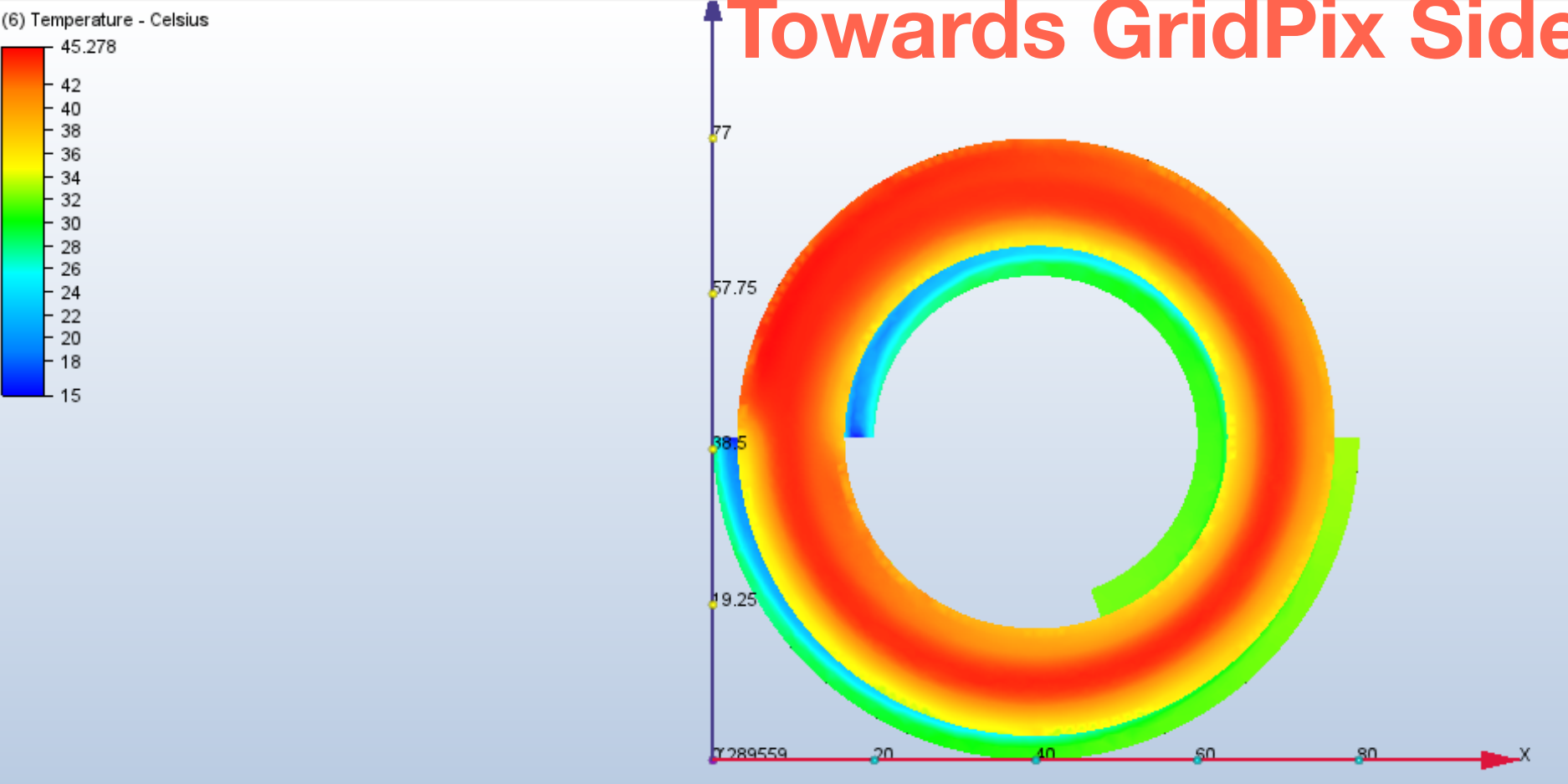


**Side View of layout**

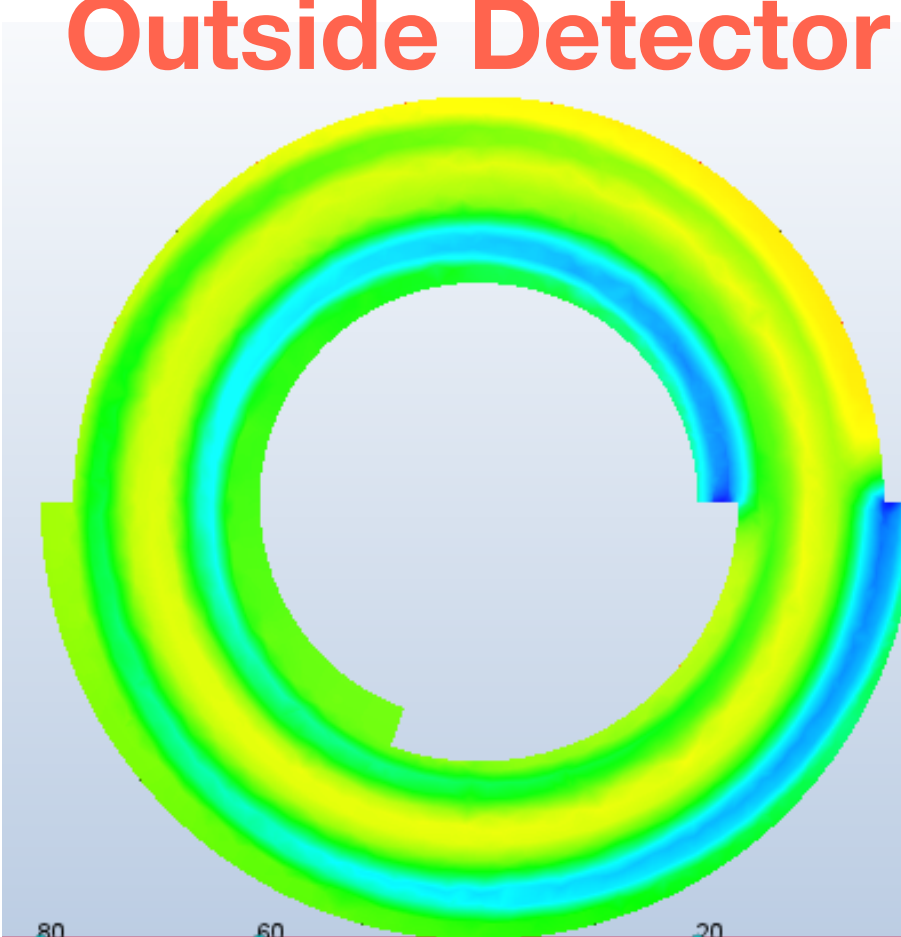


**Thermal Conductivity of Gap pad  
= 10 W/m-K**

**Towards GridPix Side**



**Outside Detector**



- ❖ Radiation length of readout plane including cooling (Al+water+gap pad + FPGA and Si) ~ **6.5%**
- ❖ Still room to improve on it to reduce further.