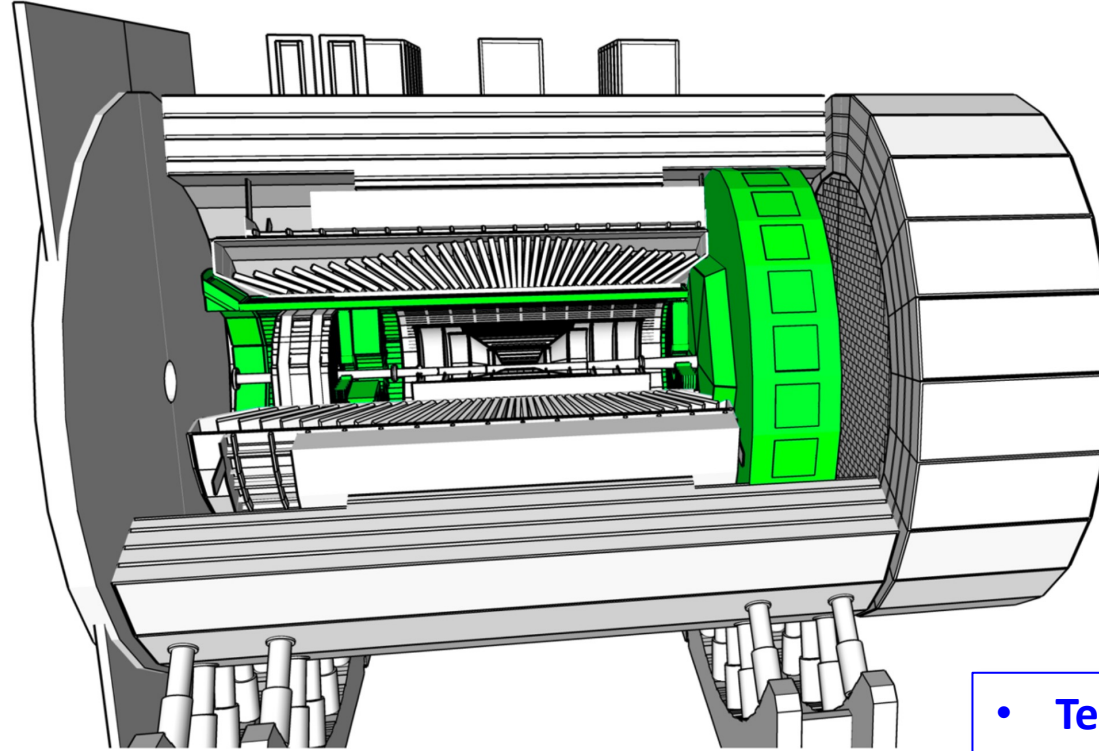


Cherenkov based PID for EIC Detector 1



Greg Kalicy

Roberto Preghenella

Tom Hemmick

Xiaochun He

- Technologies status reviews is in progress
- Work continues independently for all technologies:
 - R&D programs
 - Simulation studies

May 20th 2022

Cherenkov based PID for EIC Detector 1 meetings

- INDICO space: <https://indico.bnl.gov/category/412/>
- WIKI: <https://wiki.bnl.gov/eic-project-detector/index.php/CherenkovPID>
- April 29: 1st kickoff meeting (<https://indico.bnl.gov/event/15503/>)
 - General matters, workforce (clear need of software developers), and brief review of the technologies
- May 6: 2nd meeting
 - hpDIRC presentation: design, current and future efforts
- May 13: 3rd meeting
 - Discussion of the Detector envelopes within the BABAR magnet limitations.
- May 20: 4th meeting
 - Presentations of the electron-side Cherenkov PID detectors (mRICH): design, performance, status, and future R&D
- May 27: 5th meeting
 - Presentations of the electron-side Cherenkov PID detectors (pfRICH): design, performance, status, and future R&D
 - Presentations of dRICH detectors: design, similarities and differences, most efficient path moving forward (probably move to next week)
- dRICH Simulation group (1st meeting on May 4th (<https://indico.bnl.gov/category/412/>))

