



dRICH


Compact cost-effective solution for particle identification in the high-energy endcap at EIC

dRICH

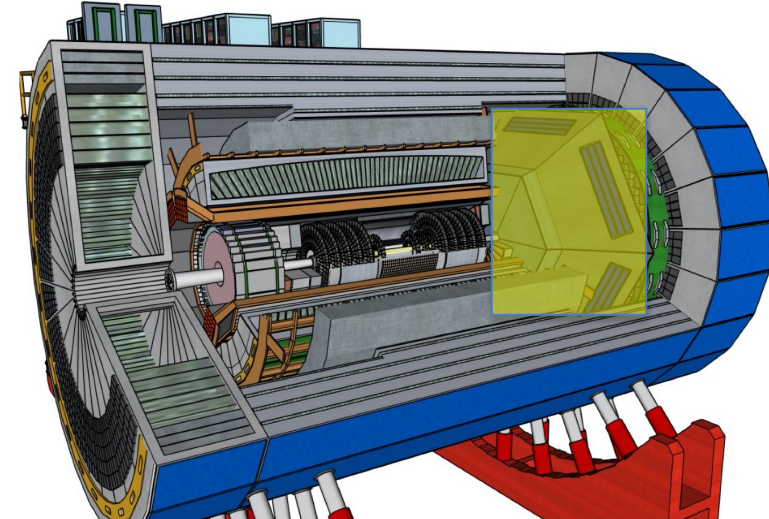


BA, BO, CS, CT, FE ,
GE, LNF, LNS, RM2,
SA, TO, TS






 **NISER**

EPIC



EIC RICH Consortium




Univerza
v Ljubljani 

.....

dRICH Collaboration: Board of Institutional Representatives

DSSL: M. Contalbrigo appointed (acting as TC for the moment)

dRICH Office: Contact Persons of Developing Programs

Simulations, Mechanics	↔	Global layout
Aerogel Radiator, Gas Radiator, Mirrors	↔	Synergy among RICHes
Photo-detector, Front-end Asics, Data Acquisition	↔	Internal structure

Restructuring activity under EPIC framework :

New mailing list: Eic-projdet-drich-l



New general meeting series: <https://indico.bnl.gov/category/472>

dRICH meetings



meetings of the dRICH DSC

May 2023

-  31 May [dRICH Meeting - Geometry and Simulations](#)
-  24 May [dRICH Meeting - Photo-sensors](#)
-  17 May [dRICH Meeting - Radiators and Prototype](#)
-  10 May [dRICH Meeting - Mechanics and Mirrors](#)
-  03 May [dRICH Meeting - Readout Electronics](#)

April 2023

-  26 Apr [dRICH Meeting - Geometry and Simulations](#)

Global PID:

- performance optimization
- complementarity in acceptance and resolution
- material budget
- redundancy

High-level software tools (reconstruction, pattern recognition....)

Modelization (sensors, materials, optics)

Link to Physics WGs ?

Common hardware interest ?