

The ePIC Streaming Computing Model

Marco Battaglieri¹, Wouter Deconinck², Markus Diefenthaler³, Jin Huang⁴, Sylvester Joosten⁵, Jeffery Landgraf⁴, David Lawrence³ and Torre Wenaus⁴
for the ePIC Collaboration

¹Istituto Nazionale di Fisica Nucleare - Sezione di Genova, Genova, Liguria, Italy.

²University of Manitoba, Winnipeg, Manitoba, Canada.

³Jefferson Lab, Newport News, VA, USA.

⁴Brookhaven National Laboratory, Upton, NY, USA.

⁵Argonne National Laboratory, Lemont, IL, USA.

Abstract

This document provides a current view of the ePIC Streaming Computing Model. With datataking a decade in the future, the majority of the content should be seen largely as a proposed plan. The primary drivers for the document at this time are to establish a common understanding within the ePIC Collaboration on the streaming computing model, to provide input to the October 2023 ePIC Software & Computing review, and to the December 2023 EIC Resource Review Board meeting. The material should be regarded as a snapshot of an evolving document.

Contents

1	Review Charge	3
2	The ePIC Experiment	3
3	The Streaming Data Acquisition System	6
3.1	Streaming Readout	6
3.2	The ePIC DAQ System	7
3.3	High Resolution Clock Distribution	8
3.4	Front End Boards (FEB)	10
3.5	Readout Boards (RDOs)	10
3.6	Data Aggregation and Manipulation Boards (DAM)	10
3.7	Scale of the DAQ System	11
3.8	DAQ Computing Resources	12
3.9	Integration of Slow Controls	14
3.10	Event Rates and Data Sizes	15
3.11	Transferring Data from DAQ to Offline	16
4	Computing Use Cases	16
4.1	Interface between DAQ and Computing	16
4.2	Stored Data Streaming and Monitoring	17
4.3	Alignment and Calibration	17
4.4	Prompt Reconstruction	17
4.5	First Pass Reconstruction	18
4.6	Reprocessing	18
4.7	Simulation	18
4.8	Analysis	19
4.9	Modeling and Digital Twin	19
5	Computing Resources	20
5.1	The Computing Model's Resource Requirements	20
5.2	Echelon 0: The Stored Data Stream	21
5.3	Echelon 1: ePIC Computing at the Host Labs	21
5.3.1	Echelon 1 Networking	21
5.3.2	Echelon 1 Storage	22
5.3.3	Echelon 1 Networking and Storage Summary	23
5.3.4	Echelon 1 and 2 Compute	23
5.4	Echelon 2: Global ePIC Computing	24
5.5	Echelon 3: Home Institute Computing	24
5.6	Opportunistic and Special Resources	25
5.7	Authorization and Access	26
6	Distributed Computing	26
6.1	Processing Requirements for ePIC Streaming Data	27
6.2	Workflow Management	28

6.3	Data Management and Access	29
7	Software	30
7.1	Designing and Managing a Common Software Stack	30
8	Project Organization and Collaboration	32
8.1	Organization of DAQ and Computing in ePIC	32
8.2	ePIC, the ECSJI and the RRB	32
8.3	Collaboration with Others	33
9	Long Term Software and Computing Plan	34
9.1	Data and Analysis Preservation	34
9.2	Timeline and High Level Milestones	34
9.2.1	Preparations for CD-2 and the Technical Design Report	34
9.2.2	Detector Construction Phase	35
9.2.3	Detector Commissioning and Early Datataking Phase .	35
10	Acknowledgements	36

1 Review Charge

The report, prepared for the ePIC Software & Computing review on October 19 and 20, seeks to address the objectives outlined in the review charge:

1. At this stage, approximately ten years prior to data collection, is there a comprehensive and cost-effective long-term plan for the software and computing of the experiment?
2. Are the plans for integrating international partners' contributions adequate at this stage of the project?
3. Are the plans for software and computing integrated with the HEP/NP community developments, especially given data taking in ten years?
4. Are the resources for software and computing sufficient to deliver the detector conceptual and technical design reports?
5. Are the ECSJI plans to integrate into the software and computing plans of the experiment sufficient?

2 The ePIC Experiment

Although the building blocks of the nucleon have been known for decades, a comprehensive theoretical and experimental understanding of how the quarks and gluons form nucleons and nuclei, and how their strong dynamics determines the properties of nucleons and nuclei, has been elusive. Most of the information about the nucleon's inner structure has emerged from the study of deep-inelastic scattering (DIS) process [1–3], an activity which has established QCD as the theory of the strong interaction.

In DIS, a high-energy lepton scatters off a hadron and excites that hadron to a final state with much higher mass. Information on the quark momentum

4 CONTENTS

density can be determined by detecting the scattering electron and the additional hadrons produced in the reaction. Correspondingly, information on the gluon density is derived from logarithmic scaling-violations when analyzing DIS data at a range of virtualities [4], or through the photon-gluon fusion process [5]. Information on structure and dynamics beyond a picture of hadrons as collections of fast-moving partons can be obtained by measuring correlations of the struck quark and the further remnants of the hadron. In some cases, the high-energy lepton diffractively scatters ($ep \rightarrow epX$), leaving the hadron intact, with no further signature of hadronic products [6, 7]. Such processes offer another context to examine QCD, especially at low x .

Dual advances in perturbative QCD and computation have laid the foundation to imaging quarks and gluons and their dynamics in nucleons and nuclei. The theoretical accuracy of modern perturbative QCD calculations has recently been advanced to next-to-next-to-leading order (NNLO) and beyond, including implementations of heavy-quark mass dependence and thresholds [8–10] in general-mass schemes [11, 12]; these advances enable lepton-hadron scattering as a discovery tool via precision measurements and the observation of new particles, both on its own or in strong synergy with hadron-hadron facilities.

The EIC targets the exploration of QCD to high precision, with a particular focus on unraveling the quark-gluon substructure of the nucleon and of nuclei. It will be designed and constructed in the 2020s, with an extensive science case as detailed in the EIC White Paper [13], the 2015 Nuclear Physics Long Range Plan [14], an assessment by the National Academies of Science [15], and the EIC Yellow Report [16]. The Yellow Report has been important input to the successful DOE CD-1 review and decision. It describes the physics case, the resulting detector requirements, and the evolving detector concepts for the experimental program at the EIC.

In 2021, the host laboratories for the EIC, Brookhaven National Laboratory and Jefferson Lab, invited proposals from detector collaborations to develop the first detector system at the EIC. This detector system, Detector 1, receives its primary funding from the DOE EIC Project and is anticipated to address the scientific objectives described in the EIC White Paper and NAS Report. Three proto-collaborations — ATHENA, CORE, and ECCE — responded by presenting detector concepts. To obtain guidance in selecting the optimal experimental equipment for the EIC, the host laboratories established the EIC Detector Proposal Advisory Panel. By 2022, the panel, composed of renowned and independent scientific-technical experts, concluded that although both ECCE and ATHENA met the criteria for Detector 1, ECCE was the preferable option due to its reduced risk and lower cost. The panel unanimously endorsed ECCE for the first detector system at the EIC. The recommendation also emphasized the importance of the proto-collaboration welcoming more members and expeditiously finalizing its design for a timely transition to CD-2/CD-3A. Immediately following the recommendation, ECCE and ATHENA combined their efforts, culminating in the formation of the ePIC collaboration in 2023.

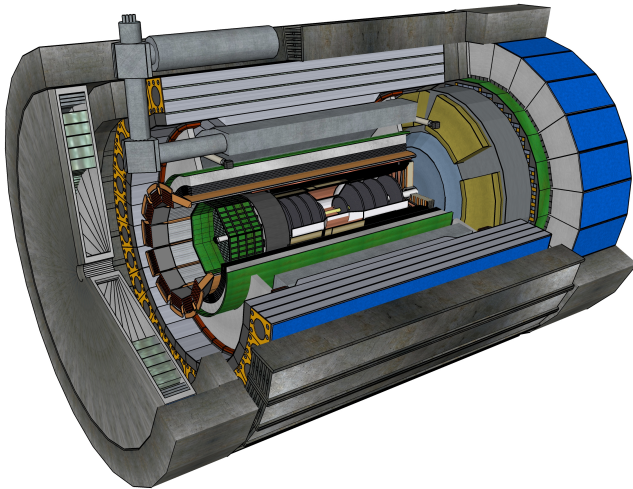


Fig. 1 Drawing showing the ePIC Central Detector.

The ePIC collaboration currently consists of almost 500 members from 171 institutions and is working jointly with the DOE EIC Project to realize the ePIC experiment. Fig. 1 displays a diagram detailing the basic design of the central detector, positioned within a large acceptance solenoid of 1.7 T. The design of the interaction and detector region has been optimized to achieve close to 100% acceptance for all final state particles and ensure their measurement with high precision. The entire integrated detector with the far forward and far backward detector regions spans an approximate length of 90 m, as illustrated in Fig. 2. The primary requirements for the detector include coverage over a broad pseudorapidity range, $-4 < \eta < 4$. Furthermore, maintaining strict control over systematic errors is crucial, necessitating the inclusion of a luminosity monitor and polarimetry for both electron and ion beams.

The EIC is being designed to achieve peak luminosities ranging from $10^{33} \text{ cm}^{-2} \text{ s}^{-1}$ to $10^{34} \text{ cm}^{-2} \text{ s}^{-1}$. Considering a luminosity of $10^{33} \text{ cm}^{-2} \text{ s}^{-1}$ combined with strong hadron cooling (where L_{peak} equals L_{avg}) and an operation efficiency of 60% for the collider complex, the resulting integrated luminosity is 1.5 fb^{-1} every month. The majority of the key measurements can be accomplished with an integrated luminosity of 10 fb^{-1} [13, 16], which corresponds to a duration of 30 weeks of operations. However, for particular measurements, e.g., the study of the spatial distributions of quarks and gluons within the nucleon using polarized beams, an integrated luminosity of up to 100 fb^{-1} is necessary. By selecting the beam species and adjusting their spin orientation with care, many measurements can be conducted at the same time.

To guarantee a broad kinematic range and extensive coverage of phase space, the EIC necessitates a variable center-of mass energy \sqrt{s} that falls within approximately 20 GeV to 140 GeV [15]. Some experiments will need

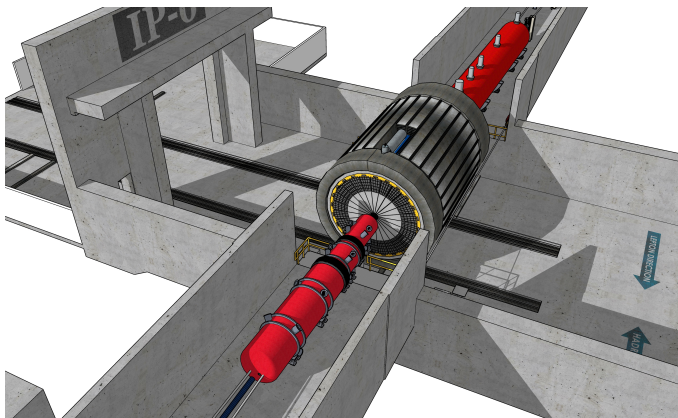


Fig. 2 Drawing of the ePIC Detector, encompassing the far-forward, and far-backward detector regions next to the ePIC Central Detector.

variations in \sqrt{s} , while others will be conducted at distinct center-of-mass energies.

For the experimental program at the EIC, photoproduction is the dominant physics process. Its cross section is well known and is two orders of magnitude smaller than the cross sections measured at LHC or RHIC experiments. Similarly, particle multiplicities come in at around ten particles in the final state, which is considerably less than those found in pp or pA colliders. The event topologies are known from the DIS measurements from the HERA collider and fixed-target experiments H1, ZEUS, and HERMES. Section 2 offers detailed estimates regarding event rates and data sizes, which include predictions about potential background contributions.

3 The Streaming Data Acquisition System

3.1 Streaming Readout

In its simplest form, streaming readout is the continuous collection of data from the detectors without any selection by a hardware trigger. Each signal over zero-suppression threshold is streamed from the detector with a time-stamp that uniquely identifies its position on the time axes. Along the way to final storage, each stream is independently manipulated applying multiple stages of data. The first stage uses per-channel zero-suppression implemented in detector specific readout electronics. In the early stages, data selection, compression or filtering is performed independently on each channel to the greatest extent possible. This provides the maximum flexibility to change or include new detector components in the readout since channels are not bound to each other. Later stages may use high-level analysis involving sophisticated processes like track reconstruction.

Hits will be organized into time frames, defined by the timing system and applied to the hits early in the readout process. Time frames from different

readout electronics can be aggregated by a 'frame builder'. The frame builder can either use standard CPUs or fast and dedicated hardware such as GPUs or FPGAs. In the streaming readout concept the time frame, the picture of the whole detector taken during a certain time interval, represents the basic and full information collected by the detector with the minimum possible bias.

Each frame is then streamed to a computing farm where a processor analyzes it applying a selection algorithm, a software "trigger" written in a high-level programming language, that using the whole information decides if (at least) an 'event' is present in the time frame and deserves to be further reconstructed. Beside proceeding with real-time data processing, if technically feasible, ePIC is planning to record data frames before applying the software "trigger". This will represent an unbiased raw data set that, if required, could be re-analyzed with improved software triggers.

To accommodate selection and reconstruction algorithms of increasing complexity, the time frame window can be reduced to contain a single interaction and/or the computing power allocated to process each frame can be increased. The full reconstruction of an 'event' requires to inject into the reconstruction pipeline the detector's calibration and alignment parameters. The first set is usually obtained by processing a short amount of data taken during the detector commissioning to define the calibration baseline. Real-time adjustment of parameters shall be performed during production runs. The online accessibility of full detector information will also vastly improve the experiment's monitoring capability.

Some current generation experiments were designed in the conventional triggering scheme and evolved into streaming readout as technology advanced. These include sPHENIX, and the streaming upgrades for LHCb, ATLAS and the JLAB CODA DAQ system. At LHCb the recently deployed streaming readout has enabled the collaboration to decrease the time-to-publication from months-to-years, down to weeks. The ePIC Collaboration has opted from the very beginning to develop the ePIC DAQ and computing model in streaming mode to maximize efficiency and flexibility.

3.2 The ePIC DAQ System

For the ePIC data acquisition will implement an flexible, scalable, and efficient stream DAQ as outlined by the EIC Yellow Report. This design will provide the advantages of streaming include the replacement of custom L1 trigger electronics with commercial off-the-shelf (COTS) computing, virtually downtime-free operation, and the opportunity to study event selection in greater detail. These advantages come at the cost of greater sensitivity to noise and background.

The ePIC detector will consist of around 24 detector subsystems using several readout technologies which include Silicon Monolithic Active Pixel Sensors (MAPS), Low Gain Avalanche Detectors (AC-LGAD), High Rate Picosecond Photodetectors (HRPPDs), and Silicon Photomultipliers (SiPMs). A schematic of the overall readout scheme for the ePIC detector is shown in Figure 3.

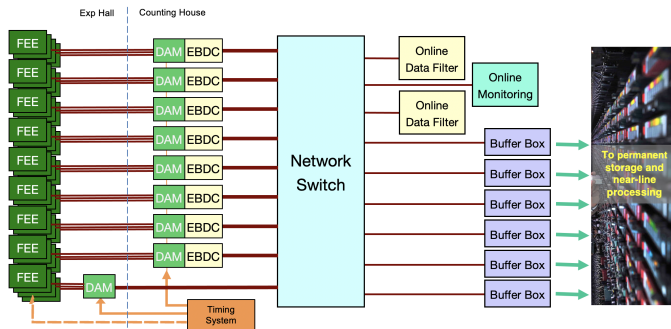


Fig. 3 schematic for the ePIC DAQ

Readout will be accomplished using front end sensors, adaptors, and detector specific ASICs encapsulated into custom Front End Boards (FEBs). The data from the FEBs will be aggregated into Readout Boards (RDOs) using bidirectional, serial, electrical (copper) interfaces between FEBs and RDOs. The RDOs will distribute configuration and control information to the FEBs and read hit data as well as monitoring information from the FEBs. These readout components are detailed in figure 4.

The RDOs will also use a bidirectional optical connection to more powerful FPGA-based hardware, the Data Aggregation and Manipulation Board (DAM). The fiber connection between the RDO and DAM will implement a unified, proprietary protocol. This protocol will serve four functions:

- The distribution of configuration information from the DAQ System to configure the RDOs, and to distribute configuration information to the FEBs via the RDOs using their serial links,
- The distribution of real-time control information to the RDO and FEBs,
- The distribution of a high-resolution beam crossing timing signal to the RDO and FEBs,
- The high performance ($\sim 10\text{Gb}$) transfer of hit data and monitoring information from the FEBs and RDO to the DAM boards.

The Data Aggregation and Manipulation (DAM) boards are envisioned to be a variation of the next generation FELIX boards being developed at BNL for the ATLAS experiment at LHC. These boards will provide the interface between the detector front-end and the “back-end” online computing. These boards are flexible in their function as they can be used as an optional standalone processor (with a 100Gb ethernet output) or as a PCIe interface to a high-performance COTS server (EBDC) as part of the Online Filter.

3.3 High Resolution Clock Distribution

The design of the global timing distribution system (GTU) will be central to the operation of the streaming readout model. The timing system must provide signals to ensure that the data from different detectors can be synchronously aggregated. It must provide a copy of the accelerator bunch crossing clock

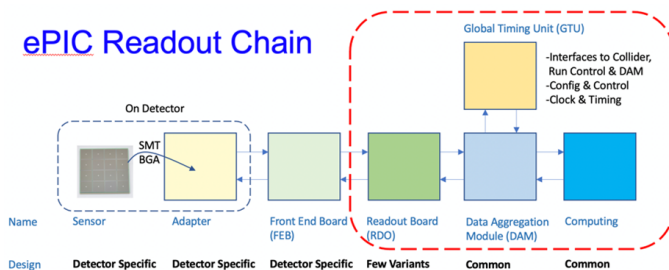


Fig. 4 ePIC full readout chain. Custom, detector specific electronics are required for the readout of each detector. DAQ components common to all detectors are outlined in red.

(running at 98.5Mhz) to all front-end systems. A subset of these systems will require a phase aligned system clock with a jitter on the order of 5ps in order realize required timing resolutions for these detectors ($\sim 20\text{-}30\text{ps}$).

The GTU is also the only source of real time information provided to the FEB/RDOs, so it must provide information a trigger system would normally provide. These functions include the ability to synchronize data from different detectors, to send flow control signals, to pass bunch information such as spin orientations and bunch structure, the ability to provide user defined signals for signaling special data formatting or calibration needs, and the ability to implement a hardware trigger for debugging or as a fallback option to solve unforeseen readout issues.

The structure of the timing system will include two stages. The first is the GTU electronics which interface to both the collider timing signals and the DAQ control systems. These boards will initially distribute timing signals and information via fiber to the DAM boards (and optionally to RDOs). The second stage of the timing system is the communication link between the DAM boards and the RDOs. While the RDOs will have components specific to each detector they will all be required to support the generic timing, configuration, and data protocol driven by the DAM boards.

We expect the DAM boards to connect to the RDOs using fiber. Each RDO will transmit data to the DAM on a dedicated link. The clock and control connection from the DAM to the RDO can be replicated from a single link at the DAM board. The clock will be reconstructed on the RDO from the transmitted timing system information. This scheme has been demonstrated (CERN TCLink protocol) to be capable of providing a phase resolution of a few picoseconds which is stable even after power cycling, for the Xilinx Ultrascale+ FPGA family. However, for selected detectors requiring high timing resolution we reserve the possibility of providing dedicated clock lines distributed directly to the RDO from the timing system.

For triggered systems it has been traditional to use the bunch crossing signal as the reference clock for digitization. This ensures, once phases are properly adjusted, that the integration windows are oriented on the collisions and that timing windows can be directly applied. In the ePIC detector's streaming readout the RDOs from all detectors will be required to aggregate, in standard

operation, zero suppressed data coming from the FEBs tagged by the time. However for streaming, the shaping time and integration time of the signal readout need not be as tightly specified as for a triggered system, and in some cases (e.g. MAPS) it will be significantly longer than a single bunch crossing.

We do plan that, where possible, the FEB boards will use the bunch crossing signal for digitization, but we will remove the explicit requirement that all systems do so. The FEBs, however, will be required to accept the bunch crossing signal from the timing system, to account for any phase shift or frequency difference and to provide the information to construct the time relative to the bunch crossing signal. Allowing independent clocking of the front-end digitization will simplify the integration of existing ASIC designs. The ability to configure phase adjustments must be provided by the timing system and by the DAM boards, but the FEBs will have to provide internal phase calibration.

Data from the ePIC detectors will need to be gathered into packets corresponding to time frames for efficient data transfer. The size (time window) of these packets will be chosen to balance header efficiency with electronics resources. It will also be valuable to use consistent time frame durations between detectors to aid in reconstruction. The mechanism for selecting time frame durations and the selection of packet sizes will in general be configurable, but also must be defined by the timing system protocol.

3.4 Front End Boards (FEB)

Data Streams being generated on the FEBs need to be driven in a deterministic way, and they must be synchronized to the global clock. Depending on the specific capabilities of the ASICs it may be possible to provide some complementary processing resources at the front-end to support the data framing as well as initial zero-suppression or threshold filtering of the data. These electronics are potentially the most susceptible to radiation effects.

3.5 Readout Boards (RDOs)

For the RDOs the most flexible solution is to provide FPGA-based resources both for providing quality timing information to the FEBs but also to enable customizable first stage aggregation and formatting of hit data. The RDOs are not expected to have a role in data reduction although simple detector specific algorithms are possible. The RDOs are expected to be positioned sufficiently far away from areas of higher radiation backgrounds to minimize potential SEUs.

3.6 Data Aggregation and Manipulation Boards (DAM)

For the ePIC DAQ system the DAM boards will be the primary aggregation points for the “raw” detector data streams. Because these are the main aggregation points for the front-end DAQ, there will need to be some well-defined but configurable algorithms for merging streams and managing

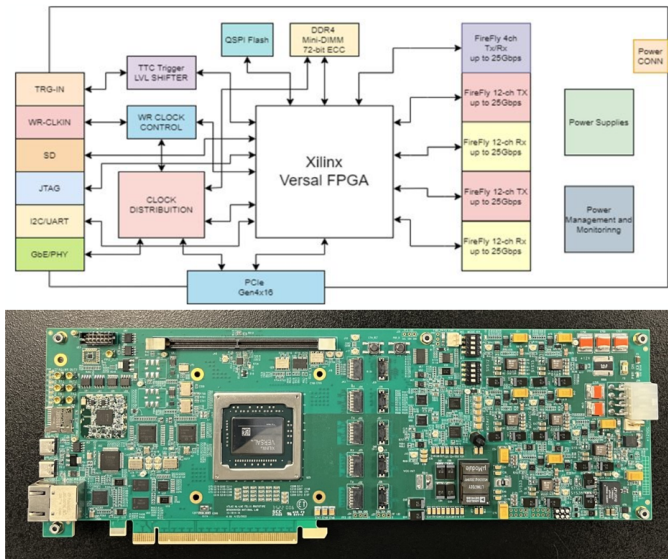


Fig. 5 FLX-182 schematic and prototype

potential congestion and data loss both for the incoming streams and the outgoing aggregated streams being queued up for back-end processing.

The expected hardware choice for the DAM board the FELIX board developed at BNL. Its schematic and prototype are shown in figure 5. Its capabilities are substantial and the updated components ensure a longevity of production, performance and support that are appropriate for the EIC timeline. The board is built around the new Xilinx Versal FPGA/SoC family. This will facilitate using the board both as a PCIe device (supporting both PCIe Gen4 and Gen5 standards) in a server or as a standalone “smart aggregation” switch running a Linux OS. It will support up to 48 serial links to RDOs at the front-end running at speeds up to 25Gbps as well as a 100Gb ethernet link off the board. There is a DDR4 RAM slot available to support buffering and more complex algorithms for data reduction or event identification. The board also supports JTAG and I2C communications.

3.7 Scale of the DAQ System

While the baseline detectors are currently being finalized, our current understanding of the readout technologies, channel counts, RDO, DAM and fiber counts and expected data volumes are summarized in Figure 6 and shown by detector in Figure 7.

the estimated interaction rate for the EIC is up to 500kHz for the highest luminosity of $10^{34} \text{ cm}^{-2} \text{ s}^{-1}$. Particle multiplicities in the ePIC detector in comparison to LHC or RHIC are significantly smaller. This means that the majority of bunch crossings will not result in interesting physics. It is important to establish a firm understanding of the sources of background and noise

Detector Group	Channels					RDO	Fiber	DAM	Data Volume (RDO) (Gb/s)	Data Volume (To Tape) (Gb/s)
	MAPS	AC-LGAD	SiPM/PMT	MPGD	HRPPD					
Tracking (MAPS)	368					400	800	17	26	26
Tracking (MPGD)				202k		118	236	5	1	1
Calorimeters	500M		104k			451	1132	19	502	28
Far Forward	300M	2.6M	170k			178	492	8	15	8
Far Backward	82M		2k			50	100	4	150	1
PID (TOF)		7.8M				500	1500	17	31	1
PID Cherenkov			320k		140k	1283	2566	30	1275	32
TOTAL	36.9B	10.4M	596k	202k	140k	2980	6826	100	2,000	96

Fig. 6 ePIC DAQ component counts summarized by detector function

and minimize these rates with respect to the physics signal. For the DAQ system we need to ensure that at the various readout stages there is sufficient bandwidth to comfortably manage expected rates from all detector systems. There are three stages show in Figure 8: digitized data off the detector into the FEB/RDOs at $O(100\text{Tb}/\text{sec})$, data into DAM boards and online computing at $O(10\text{Tb}/\text{sec})$, and filtered data readout out to disk of $O(100\text{Gb}/\text{sec})$. Current data rate estimates are consistent with these values. These estimates have been compiled from detector experts as well as by detailed simulations of collisions, synchrotron radiation, hadron beam gas, and electron beam gas events as applied to the detector configurations at the proposal stage. These results are expected to hold for the current ePIC detector design.

The reduction from $O(10\text{Tb}/\text{sec})$ to $O(100\text{Gb}/\text{sec})$ performed in the DAM boards or stages of DAQ online computing will arise primarily by reducing the data volume from detectors using SiPM readout at thresholds that need to be sensitive to single photons such as the dRICH and pRICH. At these thresholds the SiPM readout has a dark current rate of $300\text{ Hz}/\text{mm}^2$ at -40C . These rates will increase to $270\text{ kHz}/\text{mm}^2$ after several years of radiation damage. An efficient online event selection will reduce the effect of the dark current by a factor of 200 at highest running rates. AI techniques are also being investigated to help accomplish this task. The far backwards detectors will be subject to a similar requirement as they will produce up to $150\text{Gb}/\text{sec}$ due to high Electron Bremsstrahlung rates. This data must be processed by the DAQ readout system to produce luminosity measurements, but the full data readout to disk will be reduced by software filtering to on the order of $1\text{Gb}/\text{sec}$.

3.8 DAQ Computing Resources

Table 1 outlines the envisioned resources for the streaming DAQ needs. This is based on the elements shown in the DAQ schematic in Figure 3. Several thousand fibers from the RDOs will be aggregated in the DAM boards and the DAM outputs presented to the online farm. Each online farm node represents a multi-core server. The expectation is that they will minimally support 32-64 cores, and selected nodes will support PCIe-based GPUs and/or FPGAs (in addition to the DAM boards in the EBDC nodes). The high performance DAQ network is expected to support 100/400Gbps bandwidth connections. As the majority of the DAQ computing is expected to be COTS hardware, much of it will be acquired as late as is reasonable in the construction phase.

10/9/2023

ePIC Detector Scale and Technology Summary:

Detector System	Channels	RDO	Gb/s (RDO)	Gb/s (Tape)	DAM Boards	Readout Technology	Notes
SI Tracking: 3 vertex layers, 2 sagitta layers, 5 backward disks, 5 forward disks	7 m ² 36B pixels 5,200 MAPS sensors	400	26	26	17	MAPS: Several flavors: curved ITS-3 sensors for vertex ITS-2 staves / w improvements	Fiber count limited by Arctik Transceivers
MPGD tracking: Electron Endcap Hadron Endcap Inner Barrel Outer Barrel	16k 16k 30k 140k	8 8 30 72	1	.2	5	uRWELL / SALSA uRWELL / SALSA MicroMegas / SALSA uRWELL / SALSA	64 Channels/Salsa, up to 8 Salsa / FEB&RDO 256 ch/FEB for MM 512 ch/FEB for uRWELL
Forward Calorimeters: LPHCAL HCAL insert ECAL W/ScFi HCAL	63,280 8k 16,000 7680	74 9 64 9	502	28	19	SIPM / HG2CROC SIPM / HG2CROC SIPM / Discrete SIPM / HG2CROC SIPM / HG2CROC	Assume HG2CROC 56 ch * 16 ASIC/RDO = 896 ch/RDO 32 ch/FEB, 16 FEB/RDO estimate, 8 FEB/RDO conserve. HCAL 1536x5 *HCAL insert not in baseline
Barrel Calorimeters: ECAL ScFi/PB ECAL ASTROPiX ECAL ASTROPiX ECAL (PWO)	5,760 500M pixels 3,256 2852	32 230 18 12				Astropix SIPM / HG2CROC SIPM / Discrete	Assume similar structure to ITS-2 but with sensors with 250k pixels for RDO calculation. 24 ch/feb, 8 RDO estimate, 23 RDO conservative
Far Forward: BC: 3 MAPS layers 1 or 2 AC-LGAD layer 2 Roman Pots 2 Off Momentum ZDC: Crystal Calorimeter 32 Silicon pad layer 4 silicon pixel layers 2 boxes scintillator	300M pixel 1M 1M (4 x 135k layers x 2 dets) 600k (4 x 80k layers x 2 dets) 400 11,520 160k 72	10 30 64 42 10 10 10 2	15	8	8	MAPS AC-LGAD / ECROC AC-LGAD / ECROC APD HG2CROC as per ALICE FoCal-E	3x20cmx20cm 600*cm layers (1 or 2 layers) 13 x 25cm layers 9.6 x 22.4cm layers There are alternatives for AC-LGAD using MAPS and low channel count DC-LGAD timing layers
Far Backward: Low Q Tagger 1 Low Q Tagger 2 Low Q Tagger 1+2 Cal 2 x Lumi PS Calorimeter Lumi PS tracker	1.3M pixels 480k pixels 700 3425/75 80M pixels	12 12 1 1 24	150	1	4	Timepix4 Timepix4 (SIPM/HG2CROC) / (PMT/FLASH) Timepix4	
PID-TOF: Barrel Endcap	2.2M 5.6 M	288 212	31	1	17	AC-LGAD / ECROC (strip) AC-LGAD / ECROC (pixel)	bTOF 128 ch/ASIC, 64 ASIC/RDO eTOF 1024 pixel/ASIC, 24-48 ASIC/RDO (41 ave)
PID-Cherenkov: dRICH pFRICH DIRC	317,952 69,632 69,632	1242 17 24	1240 24 11	13.5 12.5 6	28 1 1	SIPM / ALCOR HRPPD / ECROC (strip or pixel) HRPPD / ECROC (strip or pixel)	Worse case after radiation. Includes 30% timing window. Requires further data volume reduction software trigger

Fig. 7 ePIC DAQ component counts

Resource	Totals
DAM/FELIX boards	136
EBDC Servers	92
DAQ Compute Nodes	108
File Servers (Buffer Box)	6

Table 1 DAQ Computing Resources

In the ePIC streaming model, there will be many independent streams of data coming off the detector electronics (FEB). These streams will be aggregated initially at some level by RDOs and further aggregated/processed by the DAM boards. The DAM output streams will be made available to the “back-end” processing farm for the streaming DAQ. The expectation is that all the stream processing will be done on COTS based networks, servers, and other high performance computing hardware (GPUs, FPGA boards etc.). The scale of this infrastructure is dependent on both the aggregate bandwidth of the streams and the level of processing required to reduce the aggregate data set to a level allowing for permanent storage.

The primary function of the DAQ computing farm is to read the data from the DAM boards, package it in data files, buffer it, and send it downstream for further processing. It will need to apply low-level data processing and reduction to accomplish this. It must also provide sufficient resources for monitoring to ensure the proper operation of both the DAQ and the detectors. All these tasks will involve correlating data between different detectors. A critical part of the monitoring system must, in fact, ensure that the correlation between detectors is robust. The DAQ system will also need to construct and display information in real time, including beam and background scalars. It will need to provide databases (DBs) to track configuration history and to track data produced. It will need to provide real time monitoring and logging.

3.9 Integration of Slow Controls

There will be myriad slow controls information associated with both the EIC collider and the ePIC detector. These include various systems on the beam line, magnets, detector biases, gas flows, temperatures, pressures, etc. While the design and implementation of these slow control systems will be driven by the relevant subsystems they are associated with, it is the defined responsibility of the DAQ to provide software tools to facilitate the integration of all this information with the streaming physics data. This will include synchronizing the times associated with readout of slow control systems and the bunch-crossing clock that will be driving the DAQ system. Online slow control databases to support calibration and reconstruction processing will also be developed. Finally, a general network infrastructure in the experimental hall and counting house, independent of the high performance DAQ network, will be provided to support all slow control systems.

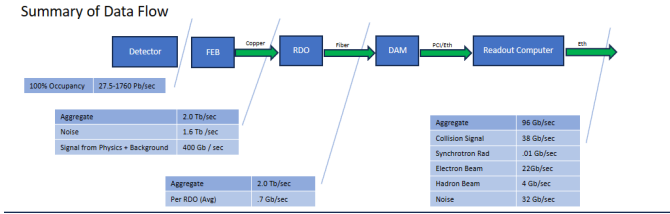


Fig. 8 Expected worst-case data rate contributions for the ePIC detector

3.10 Event Rates and Data Sizes

The effort to estimate the expected data volume from the ePIC detector is in progress. Collision, synchrotron radiation and beam gas backgrounds from both the electron and hadron beams have been studied, but there are continued efforts to ensure that all detectors are included using proper energy thresholds and digitization schemes. The current method for converting hits to data volume is to assume a constant detector-specific bit size based on current assumptions of the digitization for each detector. The distribution of hits within each detector has a significant impact on potential bottlenecks in the system. The impact of the distribution of hits is also under investigation but not included in this analysis.

The hit rate for collision signal is taken from simulated hits for DIS events generated by the ePIC physics and detector simulation. The simulated data set was taken for 18×275 GeV collisions with $Q^2 > 0$ with luminosity $1.54 \times 10^{33} \text{ cm}^2 \text{ s}^{-1}$. The collision rate was 83kHz, but the hit rates were scaled to the maximum rate of the EIC collider of 500kHz. Synchrotron radiation studies used Synrad+ to generate single photon events. These were then weighted and passed through Geant4 in DD4hep to generate hit rates in the ePIC detectors. Hadron and electron beam gas events were generated using the simulated vacuum profile after 100Ah of pumping. Noise calculations are currently based on the ePIC detector group expert estimates.

The general strategy of the ePIC DAQ is to apply as few data reduction strategies as is required to successfully store the data. However, the data rates from some detectors will require DAQ processing. Figure 8 shows the expected contributions from signal, background, and noise at each stage in the ePIC data flow. The maximum contributions are summarized by detector in Figure 6 and Figure 7. There are several notable features of the expected data rates that will require data processing.

- The SiPM dark current rates are included in these calculations as noise. These increase with radiation damage, so the quoted numbers are after several years of expected operations. After the damage reaches these levels an annealing process is planned to partially mitigate these rates.
- The SiPM dark currents are expected to be particularly problematic for the dRICH detector because it must be run with thresholds sensitive to single photons. The electronics have sufficient bandwidth to read all of the data to the level of the DAM board but in this case we expect an online

event selection to be necessary to reduce the data volume by a factor up to about 30 to fit into the ePIC data budget.

- The far backward detectors are expected to see up to 18 tracks per bunch crossing due to very high bremsstrahlung rates. These hits will be summarized into bunch-by-bunch luminosity calculations at the DAM board level, but we also expect it to be necessary to apply an online event selection for the full data.

3.11 Transferring Data from DAQ to Offline

Many varieties of data and metadata will be transferred from DAQ to offline. For each subdetector, the data sent can include – as well as “regular” detector data – samples of data not processed by DAQ’s data reduction algorithms for monitoring and data integrity checks, summary data (luminosity measures, scalers), and detector metadata (bad channels, threshold information, run information).

The details of the raw data model and the format of the data being transferred from DAQ to offline need to be defined. Currently, experts are considering time slices with aggregated hits from the detector subsystems. One of the primary objectives of streaming computing is a holistic reconstruction using all the information from each detector system. Understanding biases that might arise from low-level data processing and reduction in the DAQ is of fundamental importance, and it is essential to circumvent these biases when feasible.

4 Computing Use Cases

In this section, we outline the computing use cases for the Streaming Computing model. In Sec. 5, the use cases are associated with the four tiers of the ePIC Streaming Computing Model computing fabric, Echelons 0 through 3. Echelon 0 refers to the ePIC experiment. Echelon 1 pertains to the host labs. Echelon 2 encompasses global processing and data facilities. Echelon 3 concerns home institute computing.

4.1 Interface between DAQ and Computing

Where the interface lies between “online” and “offline” in the ePIC streaming data and processing flow is still a matter of discussion. The working definition for the purposes of this document is the point at which data flows to archival storage. In aspects both technical and sociological, this is the point at which substantial differences exist on the two sides. All processing prior to delivering the archival stream is at risk of permanently losing data in case of error or reduced live time. Post archival, the requirements and latencies are less stringent, the environment is more open.

This Section describes the computing use cases on the offline side of this definition, beginning with the stored data stream and its associated monitoring.

4.2 Stored Data Streaming and Monitoring

The first and foremost responsibility of the data stream processing as it receives archive-ready raw data from DAQ is to archive it. ePIC's butterfly model provides for geographically separated replicas of raw data as it is archived, by symmetrically receiving the raw data stream at both BNL and JLab facilities, and archiving to tape at both sites. The data is also retained on disk at both sites for near real time workflows such as calibration and prompt processing, discussed below. Monitoring of the raw data stream and other data and meta-data received from DAQ provides for examination, validation and alarming of the data stream, both by automated means and via UI. Monitoring can also consume the reconstructed objects produced by prompt reconstruction. Background analysis and subtraction can take place to ready the data stream for subsequent processing.

4.3 Alignment and Calibration

ePIC aims for rapid turnaround from datataking to full calibrated reconstruction, making a prompt alignment and calibration loop vital. It will operate off the same buffered raw data stream (and prompt reconstruction data set) that is available at each site, and will be as automated and autonomous as possible in its operation. Workflows may ingest raw data or (by definition incompletely calibrated) reconstructed data as input. Alignment and calibration data products as used in the reconstruction and other downstream workflows are delivered to a conditions database available globally, and refined until final, ready for final reconstruction. Initial prompt reconstruction based alignment and calibration is restricted to Echelon 1 (like prompt reconstruction itself). Refinements towards a final calibration can proceed elsewhere as well.

4.4 Prompt Reconstruction

A defining characteristic of ePIC's streaming data model is the events are reconstructed in near real time from the streaming data, modulo time varying calibrations that will require later reprocessing for a final fully calibrated reconstruction. The prompt availability of reconstructed data, and concurrent calibration cycle consuming it, is a crucial element of ePIC's objective to have a rapid, near real time turnaround of the raw data to production, as expressed in the software principles[17]. The stringent low latency and high availability requirements of prompt reconstruction, together with the locality of its inputs at the Echelon 1 sites, makes this a processing activity limited to Echelon 1. Prompt reconstruction uses streaming based processing described in Section

6.1 below, taking time frames as produced by the DAQ as input and producing event (single interaction) based data as output, for processing by analysis software.

4.5 First Pass Reconstruction

It is expected that the Echelon 1 facilities will have insufficient compute resources to perform the complete first pass reconstruction for incoming data. The prompt reconstruction workflow at Echelon 1 will process, at a minimum, the sample necessary for monitoring, diagnostics, quick-turnaround calibration and so on. The remaining first pass reconstruction processing will be shared with Echelon 2 facilities. The maximum acceptable completion time is about 2-3 weeks. This timescale is driven by calibrations. Given the expectation of relatively low data rates during commissioning and early running, and the need to commission, validate and stabilize the use of Echelon 2s for first pass reconstruction, it is likely that Echelon 2s will be integrated after the first pass reconstruction workflow at Echelon 1 is operating smoothly and Echelon 2s are validated as ready.

4.6 Reprocessing

The reprocessing use case can take several specific forms: full reprocessing from time frames (expected to be infrequent, after commissioning), re-reconstruction of event-factorized data with updated reconstruction and calibration (as soon as calibrations are available, plus a few more times per year), and regeneration of analysis object data as selections against the full data sample evolve (frequent). The analysis object data will be compact enough to “take home”. All reprocessing workflows are amenable to batch style processing and can utilize Echelon 1-2 and opportunistic resources.

4.7 Simulation

Monte Carlo simulation in ePIC will encompass physics simulation (event and background modeling) and (with physics simulation as input) detector simulation, both fully detailed (Geant4) and fast (parameterized, ML based). At least one order of magnitude more simulated events than data will be needed for ePIC’s various run configurations in order to estimate systematic uncertainties, ensuring simulation will remain a substantial production workload and resource consumer after datataking is underway. The output of simulation and subsequent digitization will have the frame-based streaming structure matching that of real data, such that the reconstruction operates on simulated data exactly as it does on real. (This is not yet implemented.) However in its production, simulation data has more in common with conventional batch processing than streaming. That said, we aim to set up the simulation workflows to mimic streaming data production workflows in an active attempt to gain experience with these workflows prior to datataking.

From a workflow and resource utilization perspective, reconstructing the simulated data within the same workflow is preferable, e.g. avoiding a storage-consuming output stage after the simulation, and avoiding the complication of distinct MC simulation/production workflows. Technical and sociological considerations may however separate these workflows at certain times, for example if the lifetime of simulated data (slow release cycle, determined mainly by experimental setup changes and major software releases) is substantially longer than for reconstructed data (fast release cycle determined by rapidly evolving reconstruction algorithms). Both workflow configurations should be foreseen. Simulation workflows can utilize Echelon 1-2 and opportunistic resources.

4.8 Analysis

The EIC has a broad science program. The analysis effort in ePIC categorizes its studies into inclusive, semi-inclusive, and exclusive measurements, the investigation of jet and heavy-flavor physics, and the exploration for physics that goes beyond the standard model. Each category encompasses numerous observables under examination. The feasibility of analysis prototyping and some types of analysis aligns with the capacities of Echelon 3. Nonetheless, many studies, such as imaging the quark-gluon structure of the nucleon, necessitate the computing resources of Echelon 2 or 1. The traditional approach for these analyses is rooted around immediate data reduction of large amounts of detected particles into multi-dimensional histograms. Corrections for experimental effects, such as background effects, limited detector acceptance and resolution, and detector inefficiencies can then be deconvoluted from the observable of interest through simple arithmetic and matrix transformations. This procedure of deconvoluting experimental effects from histogrammed observables is referred to as unfolding. In contrast, there are emerging analysis techniques at the event level. The event-level approach requires a reversal of the traditional procedure of correcting and unfolding measured histograms: here, idealized events from theory have to be folded with the relevant experimental effects. After folding, the theoretical calculations can then be directly compared with the experimental events at the detector level. The accuracy and precision of these methods depend on intricate simulations in the unfolding scenario and detailed modeling of experimental effects in the folding scenario.

4.9 Modeling and Digital Twin

The streaming data will be used as input for modeling the background for detailed studies of the background under various conditions of the EIC and ePIC detector. Furthermore, ePIC plans to use the complete information from the experiment to create a digital twin of the experiment. This digital twin will complement the detailed detector simulations. It will provide a model of the experiment to be used as input for experimental control in situations where immediate feedback from the model is necessary. The digital twin also offers a model that can be easily shared, facilitating the reproduction of results without

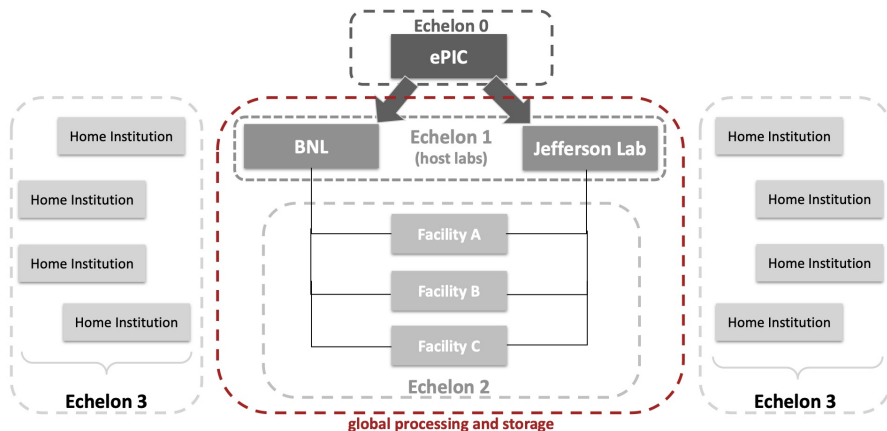


Fig. 9 Butterfly Computing Model *see text for details*).

the necessity of running computationally intensive detector simulations. The digital twin also allows for the exploration of different scenarios, providing complementary information to gain deeper understanding and optimization of experimental conditions. This, along with the data analysis and detector simulations, will offer valuable insights into improving run plans and potential upgrades for the experiment. Modeling workflows can utilize Echelon 1 and Echelon 2.

5 Computing Resources

5.1 The Computing Model's Resource Requirements

Figure 9 shows the Butterfly Computing Model that will be used for ePIC. In this model the detector and counting house sit at Echelon 0. The Echelon 1 sites represent the host labs of BNL and JLab which duplicate the storage while sharing the compute function. Echelon 2 sites contribute compute resources and may also provide some duplicate data storage more convenient for processing and access by remote collaborators (see section 5.4 for details).

The computing resources needed to process the data stream after leaving Echelon 0 (the Counting House) will be distributed across multiple facilities. The overall resource requirements are therefore cumulative among them with some additional networking requirements depending on the number of simultaneously participating facilities and their specific stream fractions.

Overall, Echelon 0 will need to send raw data at 200Gbps and each Echelon 1 site will need to be able to receive data at 100Gbps. Additional bandwidth will be needed at the Echelon 1 sites to send data to Echelon 2 sites for processing and to receive the results. Storage bandwidth and volumes are driven by these rates and are detailed in the following sections.

5.2 Echelon 0: The Stored Data Stream

The expected maximum luminosity of the EIC for ePIC is $\approx 10^{34} \text{cm}^{-2} \text{s}^{-1}$ [16] which is expected to correspond to $\approx 100 \text{Gbps}$ (see sec. 3.10). This is an instantaneous rate that will be reduced to the average rate via a data buffer in Echelon 0 just prior to the exit. While the average rate may be around 50% of the maximum, the system will be designed to accommodate the full 100Gbps bandwidth between Echelon 0 and each of the Echelon 1 sites. This will allow for closer to real-time processing of the data offsite. Both of the host labs will therefore receive the full storage-level data stream in real time. Thus, Echelon 0 will require 200Gbps of outgoing bandwidth. A small amount of additional outgoing bandwidth will be needed for monitoring streams, slow controls data, and misc. metadata artifacts. These are expected to contribute $\leq 1\%$ to the total requirement. A summary of the Echelon 0 rates can be seen in table 2.

The incoming bandwidth to Echelon 0 is expected to be small by comparison to the total outgoing bandwidth. This will include incoming monitoring data from higher Echelons and relevant calibration values (see section 3.2.5 of [18]).

The Echelon 0 storage will be primarily short term disk in the form of the output Data Buffers. The buffers will serve to smooth out fluctuations in the DAQ rate as well as provide a means to store data for a short period of time in the event of a temporary loss of communication outside of the counting house. This will be sized to hold up to 24hr of raw data produced at the full 100Gbps rate. Thus, it will be on the order of 1PB.

Resource	Type	Amount
Outgoing bandwidth	raw data	200Gbps
	monitoring, slow controls, misc. meta data	$\leq 1 \text{Gbps}$
	TOTAL	201Gbps
Incoming bandwidth	monitoring, calibration	$\leq 1 \text{Gbps}$
Storage	Disk (outgoing data buffer w/ 24hr)	1PB

Table 2 Echelon 0 networking and storage requirements.

5.3 Echelon 1: ePIC Computing at the Host Labs

The host labs at Echelon 1 will each receive a full copy of the data. Current planning calls for the bandwidth, storage and compute requirements to be the same for both Echelon 1 sites. An Echelon 1 site will need to be capable of receiving 100Gbps and permanently storing both the raw data and the reconstructed data for the full data set.

5.3.1 Echelon 1 Networking

The Echelon 1 sites will require sufficient incoming bandwidth to receive 100 Gbps of raw data and outgoing bandwidth to serve the Echelon 2 sites they

connect to. Preliminary plans have the near real-time computing for reconstruction of the raw data stream being split equally between each of the Echelon 1 sites and cumulative Echelon 2 sites. This means each Echelon 1 site will need additional outgoing bandwidth at a level of $1/6$ of the total raw data stream or $\approx 17\text{Gbps}$ for steady state running.

A goal of the computing model is to process the raw data only once using final calibration constants produced in near real-time. In reality, there may be need to process some (or all) of the raw data multiple times. Echelon 1 and 2 resources will be used for such campaigns with the Echelon 2 resources requiring re-transmission of the raw data. The overall network bandwidth will need to include this contingency. A lack of significant precedent makes it difficult to estimate this with good accuracy. A possible scenario would include one full replay of the raw data done exclusively at Echelon 2 sites. For this, each Echelon 1 site would need the additional bandwidth to transfer 50% of the total raw data or 50Gbps.

The Calibration, Monitoring, and Slow controls data will be needed by each Echelon 2 site. While the bandwidth for all of these combined is small relative to the full raw data stream, the Echelon 1 sites will need to supply multiple Echelon 2 sites with copies of those values.

5.3.2 Echelon 1 Storage

Each Echelon 1 site will require enough tape storage to hold the entire raw data set as well as any reconstructed data sets. The estimated raw data size and corresponding reconstructed data size for 1 year of running at full luminosity is $\approx 200\text{PB}$ (see *table 4* of [18]). If additional reconstruction passes are done, they will require $\approx 20\text{PB}$ each of additional tape storage. Including a contingency of one extra reconstruction pass per year at steady state would require a total of 220PB/yr at each Echelon 1 site.

Fast disk access will be needed to store raw data while calibrations are done and data is processed at either an Echelon 1 or 2 site. Raw data files will not be deleted from disk until their corresponding reconstruction artifacts are stored in both Echelon 1 tape archives. This process is currently estimated to take ≈ 3 weeks allowing for an extended calibration period. Assuming a 60% operational efficiency of the accelerator and 100Gbps maximum data rate, 3 weeks of data will require $\approx 11\text{PB}$ of disk.

Additional disk will be required for the most recent reconstructed data pass at each Echelon 1 site. It is not anticipated that multiple reconstruction passes of the same data will need to be maintained simultaneously on disk. As noted above, reconstructed data is estimated to require $\approx 20\text{PB}$ of space to store only the most recent reconstruction pass. Note that it is expected that all previous years' reconstructed data will be kept live on disk so each year the requirement is expected to grow by another 20PB.

Additional disk space will be required for individual user analyses. Some of this will be distributed throughout the Echelon 2 sites, but it is anticipated that the Echelon 1 sites will also be used for this purpose. To estimate this, we

assume these analyses will require an additional 10% of the reconstructed data volume (1% of the raw data volume) and that it will be distributed amongst the Echelon 1 and 2 sites in the same proportions. Thus, a single Echelon 1 site will need only $\frac{2}{3}$ PB of disk space for this. This is considered negligible and so not explicitly included in the total tally in table 3.

The total amount of fast disk required for the raw and reconstructed data for running at high luminosity at each Echelon 1 site is therefore estimated to be 11PB + 20PB/yr.

5.3.3 Echelon 1 Networking and Storage Summary

The bandwidth and storage requirements for each Echelon 1 site to the Echelon 2 sites it serves is shown in table 3.

Resource	Type	Amount
Outgoing bandwidth	Raw data - <i>immediate</i> ($\frac{1}{6}$ of total)	17Gbps
	Raw data - <i>replay</i> (contingency)	50Gbps
	monitoring, slow controls, misc. meta data	1Gbps
	TOTAL	68Gbps
Incoming bandwidth	monitoring, calibration, slow controls (<i>from E0, E1, and Echelon 2</i>)	1Gbps
Storage (<i>raw+recon only. no sim.</i>)	Disk (temporary)	11PB
	Disk (permanent)	20PB/yr
	Tape	220PB/yr

Table 3 Echelon 1 networking and storage requirements. Values shown are for single E1 site. There will be two E1 sites.

5.3.4 Echelon 1 and 2 Compute

Determining the scale of the ePIC Streaming Computing and planning for computing resource needs during the commissioning and operation of the experiment are essential. Currently, the reliability of estimates regarding computing resources is limited by the ongoing high-priority design and development of the Streaming DAQ and the Streaming Computing Model. For a dependable estimate, a prototype for the holistic reconstruction of physics events from time slices is required. This reconstruction needs to include jet reconstruction and the identification of leptons and hadrons using all PID systems in the ePIC Detector. It is important to have reliable estimates of the fraction of background events in the data stream and their impact on the reconstruction performance in the time slices, and to understand how quickly these background events can be discarded without the need for full reconstruction. Defining the alignment and calibration methods for each subsystem and having detailed discussions about fast alignment and calibration techniques are crucial to estimate the computing resources required for alignment and calibration. ePIC aims for reliable compute resource estimates prior to the TDR. The planning and milestones outlined in Sec. 9.2 reflects the needs. It includes

a detailed simulation of the Streaming DAQ, the data model and format of the time slices, as well as a holistic event reconstruction from these time slices.

5.4 Echelon 2: Global ePIC Computing

The ePIC Collaboration is international and its computing will be as well. This is expressed in the computing model as soon as it extends beyond the Host Labs to become global, at Echelon 2. An essential component of ePIC computing, relied upon to achieve the computational scale necessary to meet the experiment’s scientific goals, will be the resources contributed formally by ePIC’s collaborating institutions around the world, which represent the Echelon 2 component. The computing model must be designed to effectively integrate these resources and manage their productive use, wherever they may be located, dependent of course on factors such as network connectivity.

The dual Echelon 1 structure of the ePIC computing model, the “butterfly model”, already places distributed computing requirements on the model. Effectively integrating and leveraging globally distributed resources at Echelon 2 extends this requirement. The experience of the LHC experiments, well represented within the ePIC Collaboration, is relevant and applicable to developing an effective model for ePIC. Because Echelon 2 resources will be formally relied upon to meet computing requirements, they must come with appropriate MOUs specifying service requirements and assuring technical implementations compatible with the ePIC computing model. The ePIC Collaboration for its part commits to a joint effort on facility integration, and the provisioning of sufficient testing/validation protocols, monitoring and diagnostics to convey to the Echelon 2 facility, in sufficient detail to guide remediation, the faults and performance lapses that occur.

Connectivity of the Echelon 2 sites to Echelon 1 will be the same to both Echelon 1 sites (Host Labs). The connectivity will ultimately be to the ESnet network backbone to which the Host Labs are both connected. Echelon 2 sites will not have connectivity just to one or the other Echelon 1. Similarly, the Echelon 2 sites themselves will be interconnected as determined by their network environment, and these connections will be exploited by the computing model, e.g. for data replication among sites. A clear lesson from the LHC, which evolved from a hierarchical model to an interconnected mesh as experience was gained, is that the latter is far more effective.

5.5 Echelon 3: Home Institute Computing

The Echelon 3 component of the computing model is where the ePIC collaborator doing analysis or developing software directly encounters the computing system. People will access ePIC computing from their institutional cluster, their work desktop, their personal laptop, and so on. Serving these use cases is the role of Echelon 3. Like Echelon 2, E3 resources are global, as well as local to the user. These resources are numerous, diverse, volatile, restricted in their use, not suited to be managed as Collaboration resources. Rather the

Collaboration will provide the tools, interfaces, connection points, data access mechanisms and support mechanisms to make such resources effective portals and analysis processing resources for ePIC analysis.

5.6 Opportunistic and Special Resources

Among the software and computing principles[17] guiding ePIC are those expressing the importance of leveraging as many computing resources for the collaboration as is possible and practical. ePIC software should be able to run on the architectures and platforms available, effort permitting, while leveraging system characteristics such as the presence of accelerators (GPUs, TPUs, etc.), again effort permitting. ePIC S&C should support distributed workflows on the computing resources available to the worldwide EIC community, leveraging not only conventional cluster “high throughput computing” (HTC) but also high performance (HPC) systems with good usability and thereby a rewarding cost/benefit calculation.

The most productive computing resource currently used by ePIC is the Open Science Grid (OSG)[19], where a concurrent core count of 5-10k is stably attainable. As ePIC builds up its own computing resources we expect opportunistic resources like the OSG to continue to play a role, in particular for simulation production (detector and physics simulation). Simulation is a relatively simple workflow that has moderate resource requirements (storage needs, I/O intensity, memory), steady state processing, and a relatively relaxed time to complete requirement. While ePIC’s essential simulation requirements should be accommodated by planned and assuredly available resources, anticipating that ePIC science will be compute limited the exploitation of opportunistic resources should be foreseen. OSG has its origins as the US component of the Worldwide LHC Computing Grid (WLCG). The WLCG is evolving to also support non-LHC experiments (e.g. DUNE, SKA) and we can anticipate that opportunistic resources will be available to ePIC internationally as well.

Commercial clouds are being actively used by science communities (Rubin Observatory and ATLAS are examples) with their capabilities and cost models under study. Opportunistic (preemptible) usage modes together with workflows that elastically spike into the resource to support fast-turnaround use cases such as analysis are the most promising in terms of cost effectiveness. In ePIC we will monitor such developments and participate as we are able, and will decide at a later date whether such resources will have a role in our computing model.

Special resources include non-x86 processor architectures such as ARM, accelerators such as GPUs and TPUs, and no doubt others yet to emerge over the next decade. A requirement on ePIC S&C infrastructure is to have the flexibility and extensibility in the software and CI to add support for architectures of interest as they appear. The ARM architecture is already supported, and we anticipate it will have an important role in coming years given its cost effectiveness per dollar and per watt, and the relative ease of the

port. FPGAs are used in the Streaming DAQ for low-level data processing and reduction. GPUs are highly likely to play a role online; whether the same is true offline is unclear. Nonetheless support for high concurrency in the software will be needed, with requirements such as multithreading support, and advantages such as efficient memory utilization. The rise of AI/ML and accompanying proliferation of specialized accelerators such as TPUs makes it probable we will exploit them, perhaps largely transparently behind software APIs. We will track the technologies as we pursue our own AI/ML R&D and applications.

Large supercomputers such as the leadership class facilities (LCFs) developed by the DOE and NSF are most often constituted by what we've called special resources. Whether such machines are effective for ePIC use will be a case by case evaluation. Today's GPU based machines offer limited potential given the dearth of GPU-capable workloads in ePIC (a common situation in NP and HEP), though we are doing R&D in GPU-amenable areas such as Cherenkov detector simulation. The US will have its first leadership class ARM machine in 2026, at the NSF's TACC facility[20], with Japan and Europe hosting others; such machines we would already be able to use effectively. LCFs are increasingly being designed as AI/ML factories; such machines we will assuredly be able to use for at least training and optimization. We are beginning (Sep 2023) an R&D project to leverage large scale resources for the processing-intensive AI application of EIC detector design optimization.

5.7 Authorization and Access

Authorization and access mechanisms are evolving both in their technical aspects and the institutional policies that govern their use, thereby impacting the accessibility for users. The foremost priority of the ePIC Collaboration is to ensure that every collaborator has access to the resources of the collaboration, including data, websites, collaborative tools, information systems, document repositories and so on, today and reliably in the future. This consideration can be a leading or determining factor in the tools and services we use, and where they are hosted. It has been a factor in choosing GitHub as code repository and a cloud-based Mattermost instance, for example. We will continue to make this a requirement.

6 Distributed Computing

The ePIC collaboration consists of a globally distributed community of scientists engaged in the experiment's data and compute intensive scientific program. Section 4 described the use cases and workflows that the ePIC computing infrastructure must support. Section 5 described the computing resources of ePIC from the detector to the host labs and on to the globally distributed data and processing centers providing the collaboration with resources, and finally to the local resources used by analysts at their institution or from their laptop. This Section describes the distributed computing

software and services that will be needed in order to knit these resources into a coherent computing fabric for ePIC that serves the full spectrum of use cases.

The ePIC experiment follows a lineage of “big science” collaborations using computing resources on a global scale, the most prominent example to date being CERN’s LHC experiments, which in their development towards the High Luminosity LHC (HL-LHC) are also preparing for a rich and data intensive physics program in the 2030s. The LHC’s ALICE and LHCb experiments have further commonality with ePIC in having introduced streaming computing models for the LHC’s present Run-3. The LHC experiments and their collaborators in the WLCG community have built and continue to develop expertise, tools and global infrastructure that the proliferating big science community can draw on. The ePIC approach to distributed computing described here is built on leveraging and collaborating with this community, bootstrapping our distributed computing infrastructure from existing components and approaches where possible so our own efforts can focus on the extensions and tailoring needed to support the unique aspects of ePIC’s streaming computing model and global collaboration.

6.1 Processing Requirements for ePIC Streaming Data

The processing of ePIC streaming data has characteristics that are markedly different from the workflows commonly found in NP and HEP experiments to date. Current convention is that data is acquired in online workflows that deliver the data to hierarchical storage as large files, and then processed by offline workflows with a typically substantial latency period after acquisition (apart from promptly processed subsets for monitoring, data quality and possibly calibration purposes). In this scenario the offline processing maps readily onto the batch queue based resource provisioning mechanisms of computing centers. Offline processing payloads are sent to batch queues and consume input files distributed appropriately for resource locality. Keys to the applicability of this straightforward approach are the discrete, coarse grained processing units in the form of files and collections of files (datasets), and the decoupling of processing with respect to real time data acquisition. The case of ePIC streaming data processing, however, has neither of these characteristics.

In ePIC streaming data processing, a quasi-continuous flow of fine-grained data must be processed promptly with the dynamic flexibility to match in near real time the inflow of acquired data to processing resources that stand ready to consume it. Prompt processing is necessary to ensure data quality and detector integrity during datataking, and while processing of a subset could achieve those aims, processing the full dataset quickly is necessary to minimize the time required for calibrating the detector and delivering analysis-ready reconstructed data promptly, a primary goal of ePIC. For ePIC data processing, with the two host labs symmetrically serving as Echelon 1 processing centers, the processing resources used at any given time must be transparent to the workflow engine, effectively a requirement that a distributed processing capability be an integral part of the system. The data sources are distributed as

well; in a streaming computing model that dissolves much of the distinction between online and offline, the system must be flexible towards decisions as to the parallelism of data delivery received from the DAQ, i.e. where the event builder function occurs. The system must support processing parallel streams of data from subdetector, accelerator, beamline and other sources, augmented by sufficient metadata to make their association and merging fault-proof. The minimized latency and high system complexity require that a high level of automation and resilience to changing conditions be built into the streaming processing system, necessary also to keep the operations effort at a manageable level.

Summarizing the driving characteristics of ePIC streaming data processing, it is time critical, proceeding in near real time; it is data driven, consuming a fine-grained and quasi-continuous data flow across parallel streams; it is adaptive and highly automated, in being flexible and robust against dynamic changes in datataking patterns, resource availability and faults; and it is inherently distributed in its data sources and its processing resources. This model presents challenges for an infrastructure based on batch jobs and coarse grained files. However, the safe assumption for the infrastructure of the 2030s is that batch-style processing and coarse grained files – particularly as they map onto archival storage – will remain. A robust approach to building the ePIC streaming computing model and system will be to accommodate, but effectively hide, those underlying characteristics of the infrastructure. We may ultimately not need to accommodate them, for example Kubernetes or similar mechanisms of dynamic processing resource provisioning may displace the batch model. We should accommodate both and be resilient against technology evolution.

6.2 Workflow Management

As described, the requirements of ePIC's streaming based prompt reconstruction are distinct from the typical workflow management practices of contemporary experiments. Streaming is however a fertile and rapidly evolving field, in our community and well beyond. Many streaming data processing frameworks and tools exist and evolution is rapid. ePIC should be ready both to take judicious advantage, and avoid technology lock-in. The tools generally share a fundamentally similar distributed parallel model, and have common features that do not risk lock-in such as the use of standard workflow descriptions (e.g. DAG, CWL). Some systems directly manage the processing resources, such as Apache Storm and Spark, others can overlay on conventional batch or dynamic resources (such as Kubernetes); HEP/NP's own PanDA is such a system. The underlying facilities must support high availability and service quality, though a distributed system mitigates against very stringent requirements on a single facility. The facility and the streaming workflow management system in tandem must support data flow optimization in real time.

Resources should be flexible across use cases and workflows, readily usable for other purposes when datataking is not active. For example, applications

should be able to scale elastically and exploit heterogeneous hardware such as an AI/ML application spiking into an accelerated resource for low-latency turnaround. Some workflows such as simulation and reprocessing are served well by conventional batch processing, lending advantage to all ePIC's major resources supporting batch.

The international nature of the ePIC Collaboration and its computing makes it essential that workflow management tools support the use of computing resources around the world, for essentially all managed workflows apart from prompt reconstruction, and for physics analysis.

6.3 Data Management and Access

Prompt processing of data streaming from the detector will yield file based data suitable for consumption by hierarchical storage and by file-based data management tools. Raw data copies will be written to archival storage at the two host labs, with the expectation that retrieval is rare. (Under normal operation, no production workflow involves archival data retrieval.) Data management tools must support the distribution and use of data around the world, serving ePIC's global processing resources and community of analysts. Disk resident replicas at Echelon 1 and 2 sites will be managed by the data management system. Client tools for accessing and storing data at managed data stores will be usable at all Echelons including local/personal computers with appropriate authentication. Authentication and authorization (AA) mechanisms must support access for all ePIC collaborators globally.

The broad acceptance of the Rucio[21] data management system as a standard, within HEP and increasingly within NP, makes it the likely system for ePIC datataking use, in its evolved 2030s form. Rucio is being integrated and tested in ePIC now, and ePIC will engage with and contribute to the (very open) Rucio community. Rucio and the distributed computing community is migrating to SciToken based AA mechanisms which enable a federated ecosystem for uniform authorization across distributed scientific computing infrastructures, and should be capable of meeting the collaborator access requirement.

Data movement tools are in a state of flux. The long-used third party copy tool gridftp was recently retired, with http chosen as the basis for replacing it. XRootD is a powerful community-standard tool with data movement functionality tuned to the needs of HEP/NP (e.g. efficient handling of ROOT based data, in terms of both movement and caching). FTS is the data mover underpinning Rucio as used by the LHC experiments. Object store based data storage and movement (supporting the S3 API) are increasingly common. Some DOE computing facilities require the use of Globus data mover tools. Fortunately Rucio can hide much of this fragmentation (Rucio is not in itself a data mover, it interfaces with them). ePIC will leverage this encapsulation and avoid lock-in.

7 Software

7.1 Designing and Managing a Common Software Stack

Giving importance to common community software is one of the guiding principles of ePIC, discussed in Section 8.3.

The design decisions for the ePIC Software stack are based on lessons learned from the global NP and HEP community. Developers of the ePIC Software have been closely following the "Software & Computing Round Table" [22], which is jointly organized by the host labs and the HEP Software Foundation. This monthly round table forum aims for knowledge transfer and to encourage common projects within our scientific community. Notably, members of the ePIC Software & Computing Coordination also play roles in organizing the round table.

For the EIC community, the round table has proven essential. It enables developers to stay informed about software and computing advancements in the NP and HEP and to create a network of significant contacts for collaboration and cooperation.

In addition, the organizers of the "Software & Computing Round Table" also host the "Future Trends in NP Computing" workshop series [23]. These workshops delve into the next generation of data processing and analysis workflows, aiming to optimize scientific output. The workshop topics address questions how to strengthen common efforts in the NP and HEP communities and to outline a roadmap for software and computing in Nuclear Physics for the upcoming decade. Other topics discussed in these workshops include machine learning for enhancing scientific productivity, reusability and common infrastructure components, scaling up and down computing, and how to make analysis easier by addressing issues around metadata handling or the estimate and treatment of systematic uncertainties. resource management, the relationship between I/O, the role of machine learning in amplifying scientific productivity, software portability, reusability, shared infrastructure components, and the challenges of scaling computing capacities. They also focus on simplifying data analysis processes.

Furthermore, the organizers of the "Software & Computing Round Table" also host the "Future Trends in NP Computing" workshop series. These workshops explore the next generation of data processing and analysis workflows, with the goal of optimizing scientific output. The workshop topics addresses questions how to strengthen common efforts within NP and with HEP and to draft a roadmap for software and computing in NP for the next decade. They also cover subjects like machine learning for enhancing scientific productivity, reusability and shared infrastructure components, scaling computing resources, and improving analysis by addressing challenges related to metadata handling and the estimation and treatment of systematic uncertainties.

As ePIC S&C develops, the S&C Round Table and the Future Trends in NP Computing Workshop will continue to be important mechanisms to ensure that ePIC software development continues to have close communication

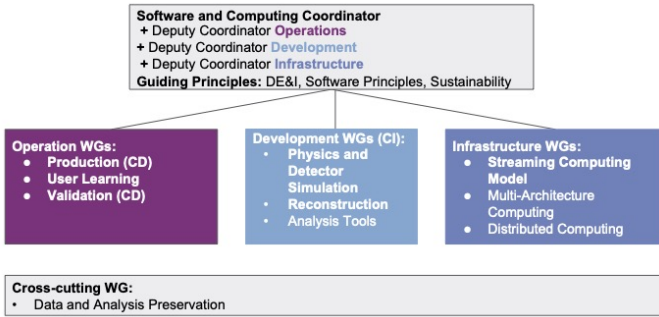


Fig. 10 Organizational chart of the Software and Computing Effort in ePIC. The Streaming Computing Working Group is joint with Electronics and DAQ Working Group in the Technical Effort to ensure that DAQ and Computing are developed together.

and collaboration channels to the global HEP and NP software community, such that opportunities for common software projects are brought to light and developed.

ePIC is planning and developing a software stack that is common within the collaboration as well as having commonalities outside through common software projects. Within ePIC, one of the software principles[17] is to have tight compute-detector integration, including a common software stack for online and offline software that encompasses the processing of streamed data, aiming for rapid, near real time turnaround of the raw data to online and offline productions. The principle recognizes the convergence between online and offline software in modern NP/HEP experiments with sophisticated high level software triggers, and even more so in a streaming computing model like that of ePIC. The full ePIC prompt reconstruction using “offline” reconstruction software occurs in the critical workflow delivering data from the detector to near real time downstream processing. Developing and using that algorithmic software and the infrastructure around it will be a collaborative effort between online and offline.

This online/offline commonality and shared development requires recognizing the different requirements and environments of online and offline, which are not dissolved by commonalities in software. The real time and near real time online environment has more stringent requirements in software stability, robustness, latency, security and other aspects than the more forgiving and open offline environment. ePIC’s software and infrastructure systems must accommodate differing release schedules, stability requirements, testing protocols and so on within a shared software base.

8 Project Organization and Collaboration

8.1 Organization of DAQ and Computing in ePIC

The scientific management of the ePIC collaboration is organized in three efforts that report to the spokesperson and deputy spokesperson: an analysis effort with currently two Analysis Coordinators, a technical effort with a Technical Coordinator, and a software and computing effort with a Software & Computing coordinator (SCC). The SCC oversees all aspects of software and computing in ePIC and has three deputies sharing the responsibilities for development, operations, and infrastructure.

Development currently has two active working groups: Physics and Detector Simulations as well as Reconstruction. Another working group on Analysis Tools is being planned. Operations comprises three active working groups: Production, User Learning, and Validation. Among the Infrastructure working groups, which consist of Streaming Computing Model, Multi-Architecture Computing, and Distributed Computing, only the Streaming Computing Model group is active at present, the others not being an immediate priority. Moreover, there is a planned cross-cutting working group on data and analysis preservation. The activation of the working groups will depend on the number of people actively participating in software and computing.

Two of the three conveners of the Streaming Computing Model WG are also conveners of the Electronics and DAQ WG that is part of the technical effort. Both working groups have regular meetings, and a significant fraction of the attendees of these meetings are the same. This ensures that the DAQ and Computing are developed together with well-defined and well-understood interfaces, and ePIC builds a group of experts familiar with data processing from the DAQ to the analysis.

8.2 ePIC, the ECSJI and the RRB

The ePIC collaboration welcomes the establishment of the ECSJI with its associated bodies including the EIC International Computing Organization (EICO) to provide the organizational structure overseeing and coordinating the complex computing fabric of ePIC and the EIC, extending from the crucial and innovative Echelon 1 partnership between the host labs, to global contributions represented at Echelon 2, to the full support of the analysis community at Echelon 3 and beyond. As well as the host labs, the partnerships represented in ECSJI include partnering with ePIC and future experiments who bring their computing requirements and interests, and with the international community of collaborating countries and Echelon 2 facilities.

It is the computing aspects where ePIC sees a crucial role for the ECSJI. Regarding software, as stated in the formative charge for the ECSJI, the experiments have responsibility for designing and developing their computing models and software, consistent with the computing fabric developed under the oversight of ECSJI. Similarly, ePIC computing operations is an activity developed

and executed within the ePIC Collaboration, in close consultation and collaboration with ECSJI, computing resource providers and others. Both the ECSJI and the software and computing efforts of the experiments are subject to oversight and review, the October 2023 review being the first instance.

The ePIC Software and Computing Coordinator serves as ePIC Point of Contact to the ECSJI.

The EIC Resource Review Board (RRB) oversees the resources for the EIC, including those for software and computing. It is the essential mediating and decision making body to reconcile the computing needs of the EIC detector collaborations with the resources available. ePIC has the responsibility to report its computing and software status, its multi-year resource requirements and their justification to the RRB.

8.3 Collaboration with Others

ePIC adheres to the EIC Statement of Software Principles[17] (ePIC members having played leading roles in developing them) and as stated there, we embrace the wider software community, both within our field and the open software community in general. Common software tools from NP and HEP already play a substantial role in ePIC software. The ePIC and EIC community has developed collaborative projects in areas that are both important and ripe for collaborating with and leveraging the wider community. These include AI4EIC[24], a workshop series on developing and AI/ML techniques and tools to EIC science; and MC4EIC[25], a workshop series on Monte Carlo physics generators for EIC which draw heavily on the wider NP/HEP community, including of course theorists.

The EIC Detector 2 software community now beginning to take shape have been our colleagues in developing the statement of principles. Software collaboration between ePIC and Detector 2 should be expected, and early indications are that this will begin to happen soon. ePIC's early start and tight timeline mean that while ePIC software is a natural starting point for Detector 2, ePIC does not have the available effort to develop common software products for two experiments, and common components will need to be established as common development efforts soon, with agreed understandings on development responsibilities and processes.

In drawing on software from the wider NP/HEP community, such as Jana2[26], Acts[27], and Key4HEP[28] and its components, ePIC's role is both user and contributor. ePIC chooses and uses packages like these because behind them are responsive, reliable, collaborative open software communities that ePIC engages with and contributes to. These decisions have been made in an open, well defined and documented process [29], which continues in ePIC for areas yet to be defined.

9 Long Term Software and Computing Plan

9.1 Data and Analysis Preservation

A guiding principle[17] of ePIC S&C is that data and analysis preservation (DAP) will be an integral part of EIC software and workflows, aiming for analyses that are fully reproducible, re-usable, and re-interpretable, based on reusable software and amenable to adjustments and new interpretations.

The ePIC Collaboration is planning to incorporate DAP into its software and computing from an early stage. A cross-cutting working group is foreseen in the org chart and will be activated during the next year. It will address DAP requirements and a timeline for DAP developments, prioritizing those with value for ePIC computing and analysis in the near as well as the long term, such as a robust and user friendly infrastructure for containerization in analysis, which is already well advanced in ePIC.

The S&C infrastructure that ePIC is establishing now will facilitate DAP, including containerization of the ePIC software stack, automation of well defined workflows using workflow definition languages (currently used in Git-Lab based CI), centralized workflow and metadata management (supporting distributed production on OSG), a curated and sustainable code repository and web presence (GitHub and its website publishing tools), and data management supporting the full data life cycle and provenance (Rucio[21] integration is in progress). A prominent missing component at present is document management, being addressed at the Collaboration level.

9.2 Timeline and High Level Milestones

ePIC Software & Computing has developed closely with the collaboration and with input from the EIC project a timeline of high level milestones, including the long-term. The milestones are grouped by the anticipated date for CD-2 approval, the detector construction phase, and the commissioning and operations phase. Priority is always given to meeting near-term needs, with the longer range timeline progressively exercising the streaming computing model to deliver for the needs of the CD process, for specific applications (e.g. test beams), for scaling and capability challenges, and ultimately for the phases of datataking. The series of milestones ensures that the agile development process is continuously confronted with real world exercising of the software and the developing realization of the computing model.

9.2.1 Preparations for CD-2 and the Technical Design Report

ePIC is providing support to the EIC Project in the preparations for CD-2 decision process and the Technical Design Report for the detector, both of which are due in November 2024:

- Software and simulation readiness for TDR preparation (and subsequent phases of the CD process).

- Provide for each use case Sec. 4 detailed estimates on the compute resources; update the networking and storage estimates according to format of streaming data format that is currently being defined.

9.2.2 Detector Construction Phase

The subsystems of the ePIC Detector must be constructed by 2030. During the construction, the detector designs will be further optimized, considering changes in costing and the availability of materials. Additionally, prototypes of the various detector systems will undergo testing. This will facilitate software testing and provide an opportunity for validation of the simulations based on the results from the test-beam measurements. The relatively extended duration of the construction phase presents an ideal timescale for the further development and implementation of the ePIC Streaming Computing Model:

- Provisioning DAQ and software sufficient for test beams, which can serve as small scale real-world testbeds for the developing DAQ and software.
- Streaming challenges exercising the streaming workflows from DAQ through offline reconstruction, and the Echelon 0 and Echelon 1 computing and connectivity.
- Data challenges exercising scaling and capability tests as distributed ePIC computing resources at substantial scale reach the floor, including exercising the functional roles of the Echelon tiers, particularly Echelon 2, the globally distributed resources essential to meeting ePIC's computing requirements.
- Analysis challenges exercising autonomous alignment and calibrations.
- Analysis challenges exercising end-to-end workflows from (simulated) raw data to exercising the analysis model.

9.2.3 Detector Commissioning and Early Datataking Phase

In approximately a decade, when the ePIC Detector is completed, the experiment's commissioning phase will commence. This phase will come with distinct expectations and requirements in comparison to steady-state operation. For instance, it will involve the utilization of semi-triggered data-taking modes, initial calibrations, introduction of zero suppression, and the gradual extension of near real-time processing from Echelon 1 to Echelon 2, among other tasks. Successful software and computing efforts during the commissioning phase will necessitate careful planning, drawing from the experience gained in the data and analysis challenges during the detector construction phase.

During the initial data-taking phase, immediately following the commissioning phase, simpler and more conservative approaches will be adopted as the ePIC Streaming Computing Model is gradually being deployed and validated.

10 Acknowledgements

Ongoing development of the ePIC streaming computing model and this document benefits from discussions in the ePIC Streaming Computing Model Working Group.

References

- [1] Breidenbach, M., Friedman, J.I., Kendall, H.W., Bloom, E.D., Coward, D.H., DeStaebler, H.C., Drees, J., Mo, L.W., Taylor, R.E.: Observed behavior of highly inelastic electron-proton scattering. *Phys. Rev. Lett.* **23**, 935–939 (1969). <https://doi.org/10.1103/PhysRevLett.23.935>
- [2] Bloom, E.D., *et al.*: High-Energy Inelastic e p Scattering at 6-Degrees and 10-Degrees. *Phys. Rev. Lett.* **23**, 930–934 (1969). <https://doi.org/10.1103/PhysRevLett.23.930>
- [3] Miller, G., *et al.*: Inelastic electron-Proton Scattering at Large Momentum Transfers. *Phys. Rev. D* **5**, 528 (1972). <https://doi.org/10.1103/PhysRevD.5.528>
- [4] Gluck, M., Hoffmann, E., Reya, E.: Scaling Violations and the Gluon Distribution of the Nucleon. *Z. Phys. C* **13**, 119 (1982). <https://doi.org/10.1007/BF01547675>
- [5] Ellis, R.K., Nason, P.: QCD Radiative Corrections to the Photoproduction of Heavy Quarks. *Nucl. Phys. B* **312**, 551–570 (1989). [https://doi.org/10.1016/0550-3213\(89\)90571-3](https://doi.org/10.1016/0550-3213(89)90571-3)
- [6] Collins, J.C.: Proof of factorization for diffractive hard scattering. *Phys. Rev. D* **57**, 3051–3056 (1998) [arXiv:hep-ph/9709499](https://arxiv.org/abs/hep-ph/9709499). <https://doi.org/10.1103/PhysRevD.61.019902>. [Erratum: *Phys. Rev. D* **61**, 019902 (2000)]
- [7] Aktas, A., *et al.*: Measurement and QCD analysis of the diffractive deep-inelastic scattering cross-section at HERA. *Eur. Phys. J. C* **48**, 715–748 (2006) [arXiv:hep-ex/0606004](https://arxiv.org/abs/hep-ex/0606004). <https://doi.org/10.1140/epjc/s10052-006-0035-3>
- [8] Witten, E.: Heavy Quark Contributions to Deep Inelastic Scattering. *Nucl. Phys. B* **104**, 445–476 (1976). [https://doi.org/10.1016/0550-3213\(76\)90111-5](https://doi.org/10.1016/0550-3213(76)90111-5)
- [9] Aivazis, M.A.G., Collins, J.C., Olness, F.I., Tung, W.-K.: Leptoproduction of heavy quarks. II. A unified QCD formulation of charged and neutral current processes from fixed-target to collider energies. *Phys. Rev. D* **50**, 3102–3118 (1994) [arXiv:hep-ph/9312319](https://arxiv.org/abs/hep-ph/9312319). <https://doi.org/10.1103/PhysRevD.50.3102>

- [10] Collins, J.C.: Hard scattering factorization with heavy quarks: A General treatment. *Phys. Rev. D* **58**, 094002 (1998) [arXiv:hep-ph/9806259](https://arxiv.org/abs/hep-ph/9806259). <https://doi.org/10.1103/PhysRevD.58.094002>
- [11] Guzzi, M., Nadolsky, P.M., Lai, H.-L., Yuan, C.-P.: General-Mass Treatment for Deep Inelastic Scattering at Two-Loop Accuracy. *Phys. Rev. D* **86**, 053005 (2012) [arXiv:1108.5112](https://arxiv.org/abs/1108.5112) [hep-ph]. <https://doi.org/10.1103/PhysRevD.86.053005>
- [12] Gao, J., Hobbs, T.J., Nadolsky, P.M., Sun, C., Yuan, C.-P.: General heavy-flavor mass scheme for charged-current DIS at NNLO and beyond. *Phys. Rev. D* **105**(1), 011503 (2022) [arXiv:2107.00460](https://arxiv.org/abs/2107.00460) [hep-ph]. <https://doi.org/10.1103/PhysRevD.105.L011503>
- [13] Accardi, A., *et al.*: Electron Ion Collider: The Next QCD Frontier: Understanding the glue that binds us all. *Eur. Phys. J. A* **52**(9), 268 (2016) [arXiv:1212.1701](https://arxiv.org/abs/1212.1701) [nucl-ex]. <https://doi.org/10.1140/epja/i2016-16268-9>
- [14] Aprahamian, A., *et al.*: Reaching for the horizon: The 2015 long range plan for nuclear science (2015)
- [15] National Academies of Sciences, Engineering, and Medicine: An Assessment of U.S.-Based Electron-Ion Collider Science (2018). <https://doi.org/10.17226/25171>
- [16] Abdul Khalek, R., *et al.*: Science Requirements and Detector Concepts for the Electron-Ion Collider: EIC Yellow Report (2021) [arXiv:2103.05419](https://arxiv.org/abs/2103.05419) [physics.ins-det]
- [17] EIC Software Statement of Principles. <https://eic.github.io/activities/principles.html>
- [18] Bernauer, J.C., *et al.*: Scientific computing plan for the ECCE detector at the electron ion collider. *Nuclear Instruments and Methods in Physics Research Section A: Accelerators, Spectrometers, Detectors and Associated Equipment* **1047**, 167859 (2023). <https://doi.org/10.1016/j.nima.2022.167859>
- [19] Open Science Grid. <https://osg-htc.org/>
- [20] TACC Leadership Class Computing Facility. <https://lccf.tacc.utexas.edu/>
- [21] Barisits, M., *et al.*: Rucio: Scientific data management. *Computing and Software for Big Science* **3**(1) (2019). <https://doi.org/10.1007/s41781-019-0026-3>

- [22] Software & Computing Round Table. <https://www.jlab.org/software-and-computing-round-table>
- [23] Future Trends in NP Workshpp Series. <https://www.jlab.org/FTNPC>
- [24] AI4EIC - Artificial Intelligence for the EIC workshop (series). <https://indico.bnl.gov/event/19560/>
- [25] MC4EIC - Monte Carlo event simulation for the EIC workshop (series). <https://indico.bnl.gov/event/17608/>
- [26] Lawrence, D., Boehnlein, A., Brei, N.: JANA2 Framework for Event Based and Triggerless Data Processing. EPJ Web Conf. **245**, 01022 (2020). <https://doi.org/10.1051/epjconf/202024501022>
- [27] Acts - A Common Tracking Software. <https://acts.readthedocs.io/en/latest/>
- [28] Key4HEP software stack. <https://key4hep.github.io/key4hep-doc/>
- [29] EIC Software Decision Process. https://wiki.bnl.gov/EPIC/index.php?title=EIC_Single_Software_Stack_2022