

ePIC CC Meeting

-

Welcome

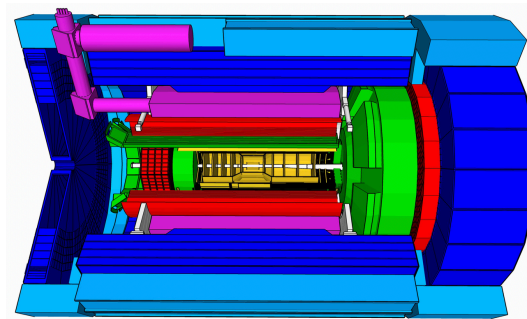
Thomas Ullrich

(BNL)

and

Bernd Sorrow

(Temple University)



Announcements

- All ePIC collaborators are welcome to attend the ePIC Collaboration Council (CC) Meeting, except for the closed session.
- Please keep your microphone muted if you are not speaking.
- We decided not to record the CC meetings some time ago, and I suggest we proceed this way again.
- We have two known guests of representatives of new institutions petitioning to join ePIC:
 - Masashi Kaneta - Tohoku University, Japan
 - Vipin Gaur - University of Petroleum and Energy Studies (UPES), India
- This meeting also includes the presentation of new conveners that are suggested for various working groups. The CC will need to vote on their appointment as well.

Agenda

□ Overview

- We have a very packed agenda. **Please stay within your allocated time slot.**
- All speakers should present their material by sharing their screen unless you tell us otherwise. Please upload your slides to INDICO or let us know if you need help.
- Thank you!

08:00

Opening/Welcome

Bernd Surrow et al. [🔗](#)

08:30 - 08:40

Presentation of new PWG convener and new SCC convener candidates

Dr Markus Diefenthaler et al. [🔗](#)

08:40 - 08:50

09:00

Presentation of New Institution Proposals: Tohoku University (10+5)

Prof. Masashi Kaneta [🔗](#)

08:50 - 09:05

Presentation of New Institution Proposals: University of Petroleum and Energy Studies (UPES) (10+5)

Dr Vipin Gaur [🔗](#)

09:05 - 09:20

Membership Policy - Status & Implementation (15+5)

Peter Steinberg et al.

09:20 - 09:40

Conference & Talks Policy - Status (15+5)

Brian Page et al.

09:40 - 10:00

10:00

Publication Policy - Status (15+5)

Annalisa Mastroserio et al. [🔗](#)

10:00 - 10:20

DEI/Code-of-Conduct Policy - Status (15+5)

Christine Natrass et al.

10:20 - 10:40

11:00

Discussion ePIC Collaboration Policies

Bernd Surrow et al.

11:00 - 11:45

Closed Session - CC Meeting

Bernd Surrow et al.

11:45 - 12:00

12:00

Proxy Representation

- Known proxy representation in today's meeting:
 - Subhadip Pal (Czech Technical University) for Jaroslav Bielcik (Czech Technical University)
 - Prakhar Garg (Yale University) for Helen Caines (Yale University)
 - Donald Isenhower (Abilene Christian University) for Larry Isenhower (Abilene Christian University)
 - Maria Zurek (ANL) for Zein-Eddine Meziani (ANL)
 - Oleg Tsai (UCLA) for Huan Huang (UCLA)

Minutes

- Agenda from CC meeting on April 26, 2024: <https://indico.bnl.gov/event/23006/>
- Minutes:

The meeting agenda and materials are available via <https://indico.bnl.gov/event/23006/>

By consensus, the meeting was not recorded.

The minutes of the Collaboration Council meeting on March 1, 2024, were adopted by consensus and were added to the respective meeting Indico page.

The spokesperson team provided various collaboration-relevant updates. The slides provide all the details presented.

Four new institutions presented their intention to join ePIC: 1) LLR, 2) American University of Cairo, 3) Central University of Haryana, and 4) IIT Mandi.

The CC Vice-Chair block consisted of candidate presentations chaired by Helen Caines: 1) Ken Barish, 2) Olga Evdokimov, 3) Peter Steinberg, and 4) Thomas Ullrich.

Updates on the Membership Policy were provided by Peter Steinberg and Pietro Antonioli and on the Conference and Talks Policy by Brian Page and Maria Zurek.

The closed session focused on the new membership presentations. No other business was brought up, and the meeting was adjourned.

Updates

□ Charter

- We are considering forming a charter committee to review the current charter and implementing potential updates
- Current charter: https://wiki.bnl.gov/EPIC/images/6/6c/EPIC_Charter-v1.0.pdf

□ Membership list

- Ernst Sichtermann conducted a heroic task collecting membership information from multiple institutions. Thank you!
- The information provided by member institution representatives is expected to lead in part to changes in the number of votes per institution - It is anticipated that this will become effective September 1, 2024 / Institutions will be contacted individually!

□ Ad-hoc committee concerning prelim. / final result approval

- Based on discussions with the Conference & Talks committee and the Publication committee, it appears that there is a need to clearly define the approval process for the release of preliminary and final results along with related guidelines.
- We are planning to form an ad-hoc committee in collaboration with both committees!

Membership policy Vote

- The deadline for submitting your membership policy vote was last Sunday, July 21!
- We have by far not reached the required number of votes yet. Quorum not reached!

- Please submit your vote:

[https://forms.gle/
DzxwDZWst7wJtD257](https://forms.gle/DzxwDZWst7wJtD257)

ePIC Membership Policy Adoption

B I U ↻ ✕

Please use the form below to submit your vote concerning the adoption of the ePIC Membership Policy:

<https://www.dropbox.com/scl/fi/h3gfytmxq1lvkwwk3hmem/ePIC-membership-policy-draft-v1.1.pdf?rlkey=935odbyq6ngi018xen4jd6s5g&dl=0>

Only members of the ePIC Collaboration Council are eligible to submit their vote. Please submit your vote by Sunday, July 21, 2024, 11:59 PM (EDT). Any questions concerning this form should be addressed to Bernd Surrow (surrow@temple.edu).

The main ideas of the membership policy were presented during the CC meeting at ANL in January 2024. A draft policy was presented to the CC on March 1, 2024, followed by circulating a draft on March 16, 2024, with a four-week window for comments. The feedback we received was discussed during the CC meeting on April 26, 2024, and the revised draft was circulated on May 26, 2024, with a two-week time window for comments. The final version above is the outcome of this process over the last six months, which was circulated to the entire collaboration more than three weeks ago on June 12, 2024. No further comments were received until today, Saturday, July 6, 2024.

Deadline: Sunday, July 21, 2024, 11:59 PM (EDT)

Email *

Valid email

This form is collecting emails. [Change settings](#)

- Individual emails will go out early next week!

Membership policy Vote

Submitted # Votes / ePIC Membership Policy

