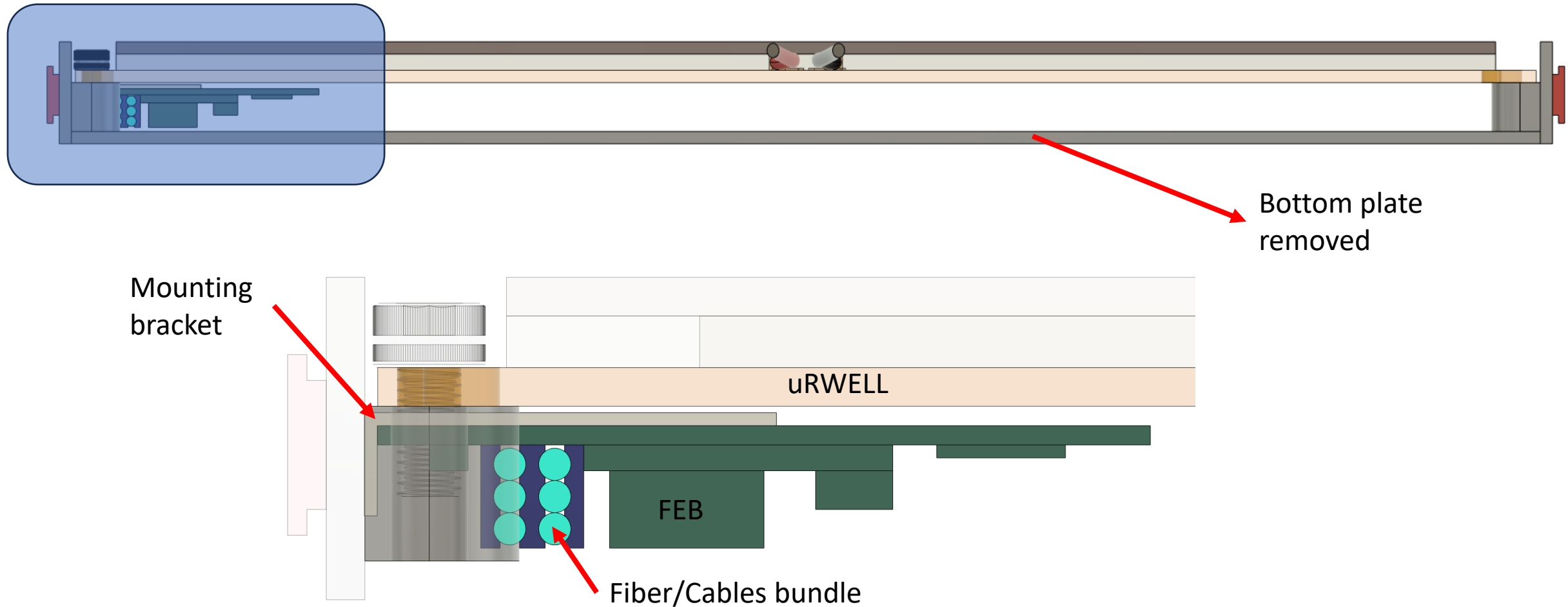


uRWELL BOT design progress

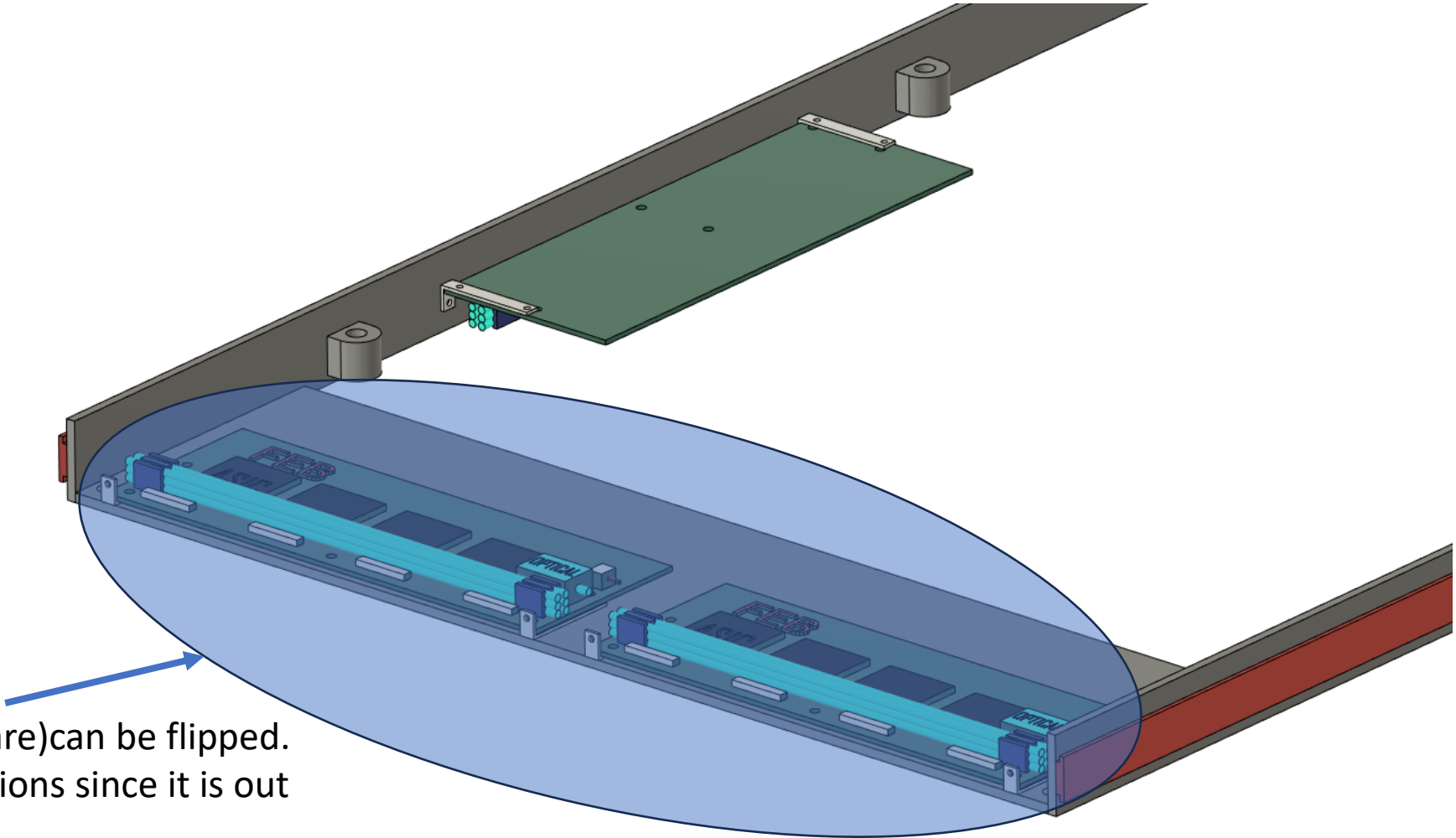
1/4/2024

Seungjoon Lee

New design of FEB mounting

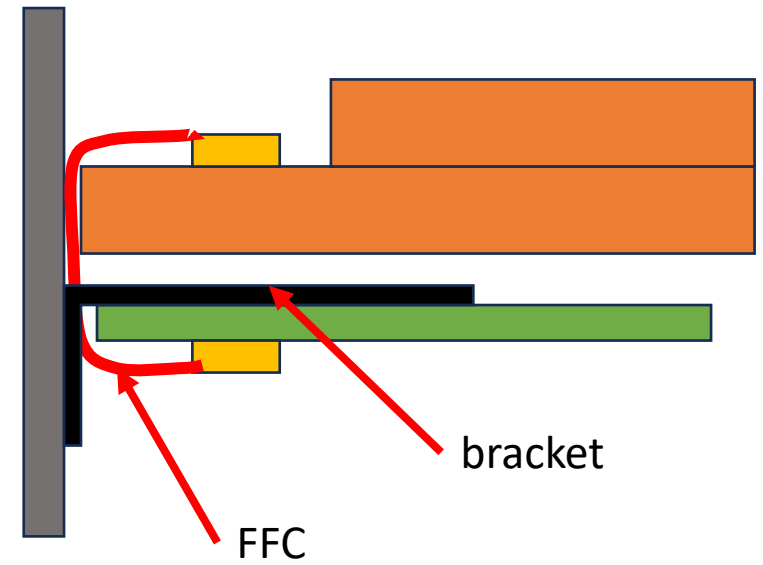
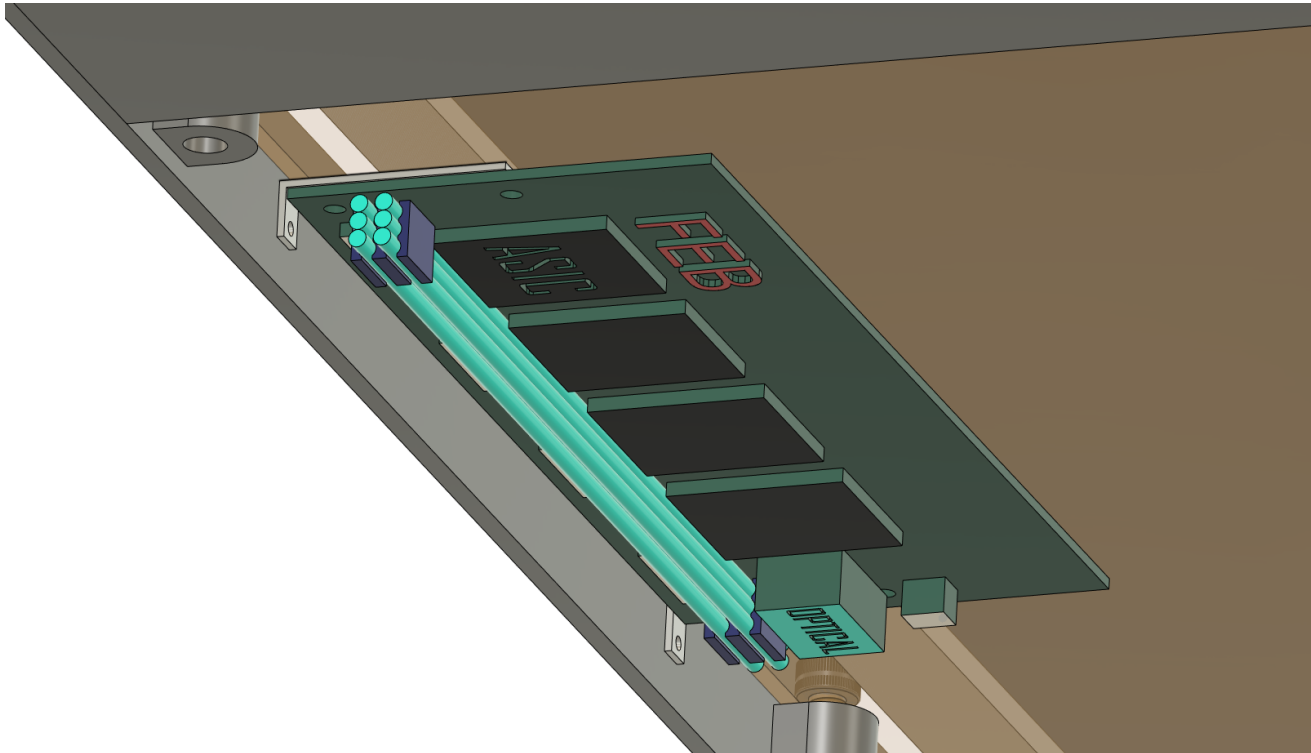


Top view (without uRWELL)



This part (service are) can be flipped.
We have more options since it is out
of active area

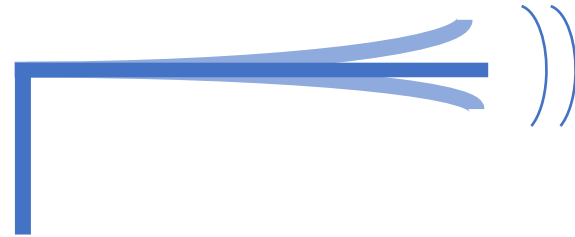
Bottom view



Interference with Active Area



Flex issue



The current bracket (1 mm thick) may be too flexible but there are solutions to make it stronger.