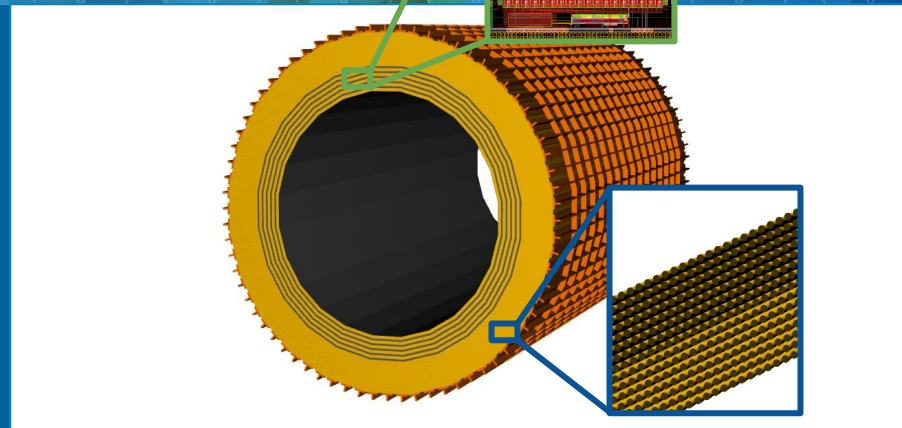


BIC General Meeting,
May 3rd, 2024

Barrel Imaging Calorimeter News from ePIC



Maria Żurek, Sylvester Joosten
PHY, Argonne National Laboratory

Collaboration and Project News

ePIC General Meetings: <https://indico.bnl.gov/category/411/>

TIC Meetings: Mondays, 8 am CT, <https://indico.bnl.gov/category/480/>

May 20, 2024, AstroPix Presentation during TIC

Detector database requirements:

https://indico.bnl.gov/event/23086/contributions/90436/attachments/54156/92649/TIC_DB_0429_2024.pdf

Design Review 2024 Plans – Updates *in Blue*

- Design Reviews
 - ✓ **PDR2: IR Integration and Auxiliary Detectors – February 12, 2024 – main emphasis on baseline choices and progress**
 - PDR1: Tracking Detectors – **March 20-21, 2024** – main emphasis on baseline tracking layout, if we are on track and plans
 - PDR2: Electronics/DAQ – May 2024? – continuation of PDR1 to ensure we are on track and show progress
 - PDR: Integration, Infrastructure and Installation – Summer/Autumn 2024? – includes detector support structures
 - PDR2: Particle Identification Detectors – Summer 2024?
 - PDR2: Barrel EM Cal – Summer/Fall 2024 – emphasis on mechanical design & AstroPix readiness
 - FDR: Backward & Forward EM Calorimetry, Barrel & Forward HCAL – Fall 2024
 - PDR2: Polarimetry – timescale TBD (but before CD-2)
 - FDR for any potential CD-3B scope: Magnet Power Supply, perhaps VTRx+/lpGBT, perhaps magnet steel – see NOTE
 - FDR Magnet Power Supply – Spring 2024; Magnet Steel perhaps Summer 2024; VTRx+/lpGBT add ½ day to electronics/DAQ PDR2
- Detector R&D Day – **March 25** – check R&D progress and outlook to FY25
- DAC-Meetings 2024 under planning:
 - ~April 2024: Project Status, Baseline Detector, International Engagement, Detector R&D progress (expect 1+ day)
 - ~August 2024: Detector R&D annual review (expect 2 days) – deadline for submission July 1, 2024
- Next ePIC Computing & Software review by host labs – Late Summer 2024?

NOTE: CD-3B for detector will include continuation phases for SiPMs, SciFi, PbWO₄, Forward HCAL. Further scope has to be known essentially now and needs FDRs.

EIC Schedule

CD-3A:

Approve start of long-lead procurements
 CD-3A items passed final design review
 All interfaces related to them are frozen
 Waiting for ESAAB meeting for authorization

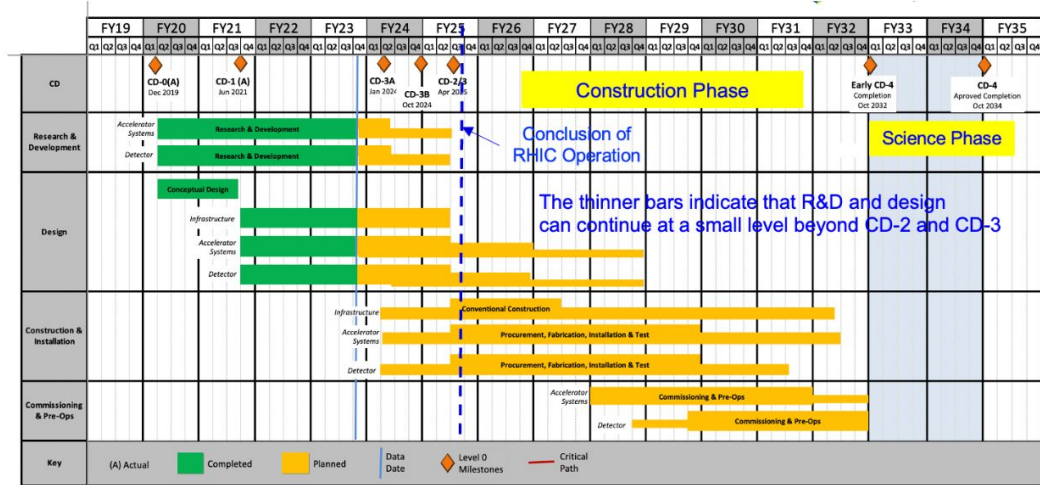
CD-2:

Approve prelim. design for all subdetectors
 Design Maturity: >60%
 Need "pre-TDR (or draft TDR)
 Baseline project in scope, cost, schedule

CD-3:

Approve final design for all subdetectors
 Design Maturity: ~90%
 Need full TDR

Current EIC Critical Decision Plan	
CD-0/Site Selection	December 2019 ✓
CD-1	June 2021 ✓
CD-3A	ESAAB March 25 th 2024
CD-3B	October 2024
CD-2/3	April 2025
early CD-4	October 2032
CD-4	October 2034



Updated speculation based on EIC accelerator project status, on the actual appropriated FY24 funding (\$98M), on uncertain FY25 budget scenarios (President's Budget is only ~\$113M) and the projected RHIC FY24 run:

- January 7 – 9, 2025 Path to CD-2/CD-3 status review, possible CD-3B Approval spring 2025?
- RHIC operations will conclude at end of FY25, in September 2025
- CD-2 Approval Late 2025?, Possibility of CD-3C as needed.
- CD-3 one year later?

Detector R&D Day

<https://indico.bnl.gov/event/22388/>

- Commonly organized by ePIC and EIC Project
- Many thanks to all for reports and presentations
- Good progress towards R&D milestones
- Some of the eRDxxx Si/ASICs engineering readiness runs may need to be done as PED-funded activities in FY25 due to lack of “OPC” funds in the President’s Budget outlook – we plan to still follow the detector R&D plan.
- Call for updates and follow-up plans will come in about one month with due date of July 1.

ePIC / EIC Project Detector R&D Day

Monday 25 Mar 2024, 09:00 — 16:00 US/Eastern

Description [Zoom Link](#)

[Progress Reports](#)

09:00	→ 09:15	Welcome & Introduction Speaker: Thomas Ullrich (BNL)	🕒 15m
09:15	→ 09:45	eRD103 (hpDIRC) Speaker: Grzegorz Kalicy (CUBA)	🕒 30m
09:45	→ 10:15	eRD112 (ToF/AC-LGAD) Speaker: Zhangbu Xu (Kent State University)	🕒 30m
10:15	→ 10:45	eRD102 (dRICH) Speaker: Marco Contalbrigo (INFN Ferrara)	🕒 30m
10:45	→ 11:05	Coffee Break	🕒 20m
11:05	→ 11:35	eRD108 (MPGDs) Speakers: Francesco Bossu (CEA-Saclay), Francesco Bossù (CEA), Kondo Gnanvo (Jefferson Lab)	🕒 30m
11:35	→ 12:05	eRD109 (ASICs/FEEs) Speaker: Fernando Barbosa (JLab)	🕒 30m
12:05	→ 13:05	eRD104, eRD111, eRD113 (SVT) Speaker: Ernst Sichtermann (Lawrence Berkeley National Laboratory)	🕒 1h
13:05	→ 13:35	Lunch Break	🕒 30m
13:35	→ 14:05	eRD110 (Photosensors) Speaker: Alexander Kiselev (BNL)	🕒 30m
14:05	→ 14:35	eRD106 (Fwd EMCal) Speaker: oleg tsib (ucle)	🕒 30m
14:35	→ 15:05	eRD107 (Fwd HCal) Speaker: Friederike Bock (ORNL)	🕒 30m
15:05	→ 15:35	eRD115 (Barrel EMCal) Speaker: Maria Zurek (Argonne National Laboratory)	🕒 30m

Calorimetry CC Group Meetings

Irradiation studies of SiPMs in UC Davis: <https://indico.bnl.gov/event/23121/>

TDR Planning report: <https://indico.bnl.gov/event/22959/>

TDR Structure

- ✓ ready to write
- ⚠ partially ready to write
- ✗ lots of to do

Design

- Overview ✓
- Detector Requirements ✓

Performance

- Performance with *most up to date geometry/envelopes* ⚠
 - Energy resolution, Position resolution,
 - e/pi separation, gamma/pi0 separation
- Beam test benchmarking (e resolution) ⚠
- Literature benchmarking (pion response) ⚠
- Backgrounds ✗

Sector Design, Mechanics and Integration

- Sector design and construction ⚠
- Tracker mechanics ✗
- End-of-sector box mechanics ⚠
- Deflection studies ✗
- Barrel assembly and integration tooling ⚠

AstroPix Wafers & Modules

- AstroPix characteristics and readiness ✓/⚠
- Automated wafer testing ⚠
- Module & stave design ⚠
- Stave bus design ✗
- Module assembly and scalability ✗

End-of-sector Box and Readout

- SiPMs characteristics ✓/⚠
- SiPM boards and FEB ⚠/✗
- LED system ✓/⚠
- Tracker End-of-tray card (RDO) ✗
- Slow controls (temperature, humidity) ⚠

Cooling

- Cooling system design ⚠
- Global heat load simulations ✗

System Testing

- System Calibration ✗
- System QC ✗
- System Demonstration ⚠/✗