

# pfRICH Mandrel:

## End rings

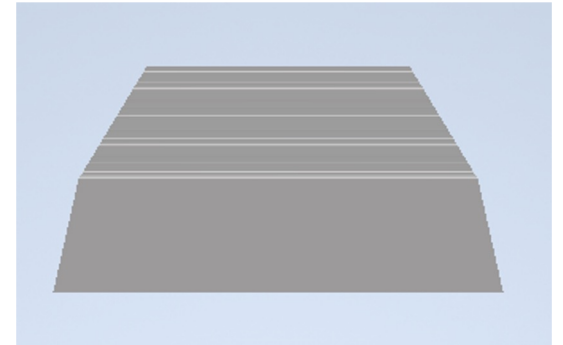
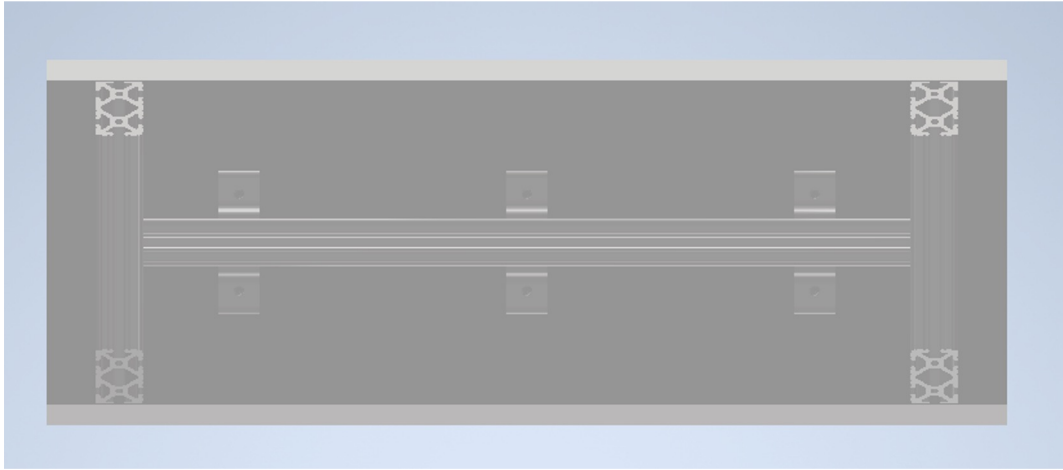
- End Ring Outer Radius: **649.322 mm (25.563 inch)**
- End Ring Inner Radius: **630.510 mm (24.823 inch)**
- Thickness (along z): **25.4 mm (1 inch)**

**These pieces of information were reviewed and accepted by Alex, Charles, Sushrut, Dan, and Beni on April 1st**

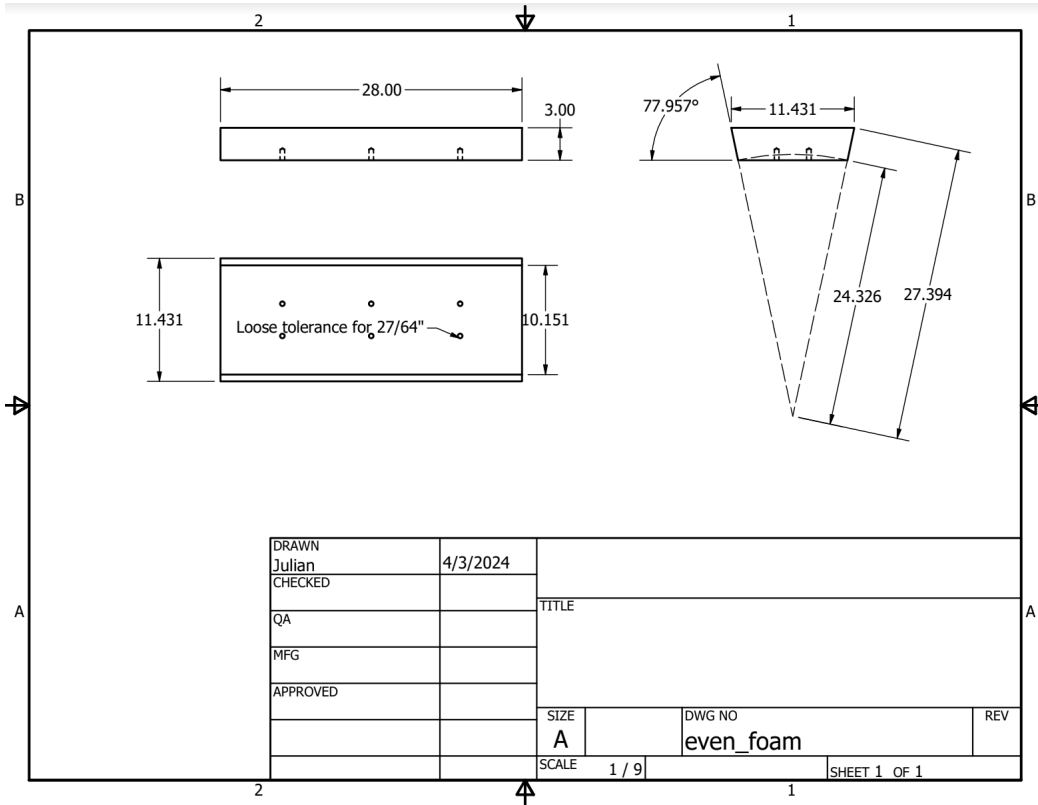
# **pfRICH Mandrel:**

Foam Panels

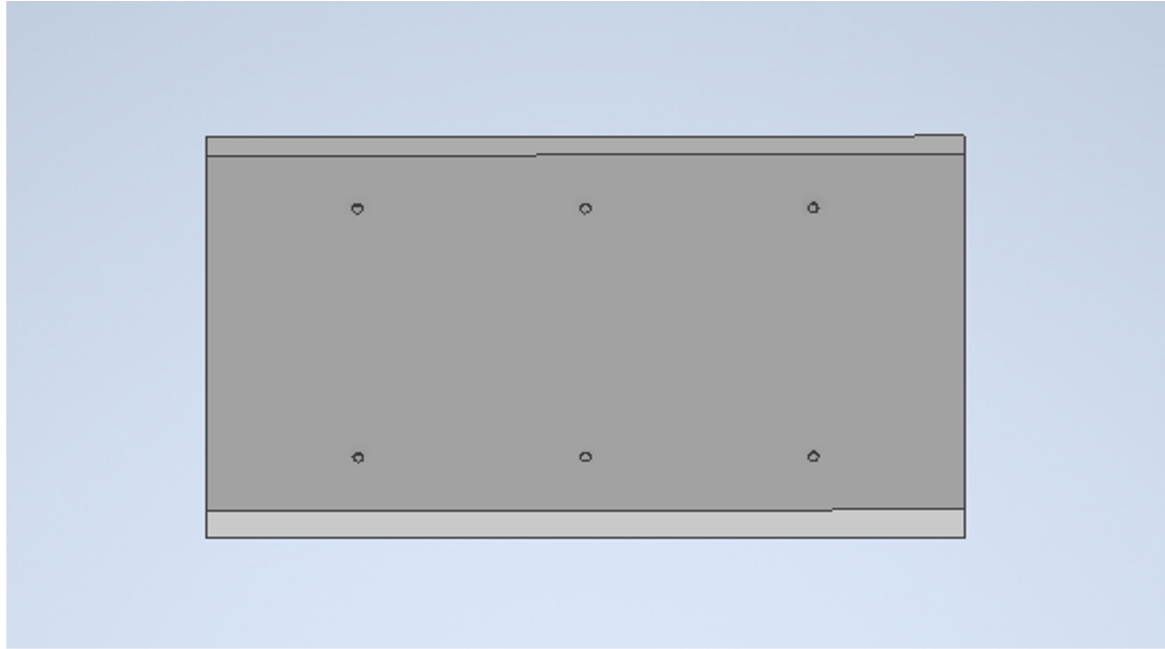
# Dodecagon – Even – 10.151 inch (short)



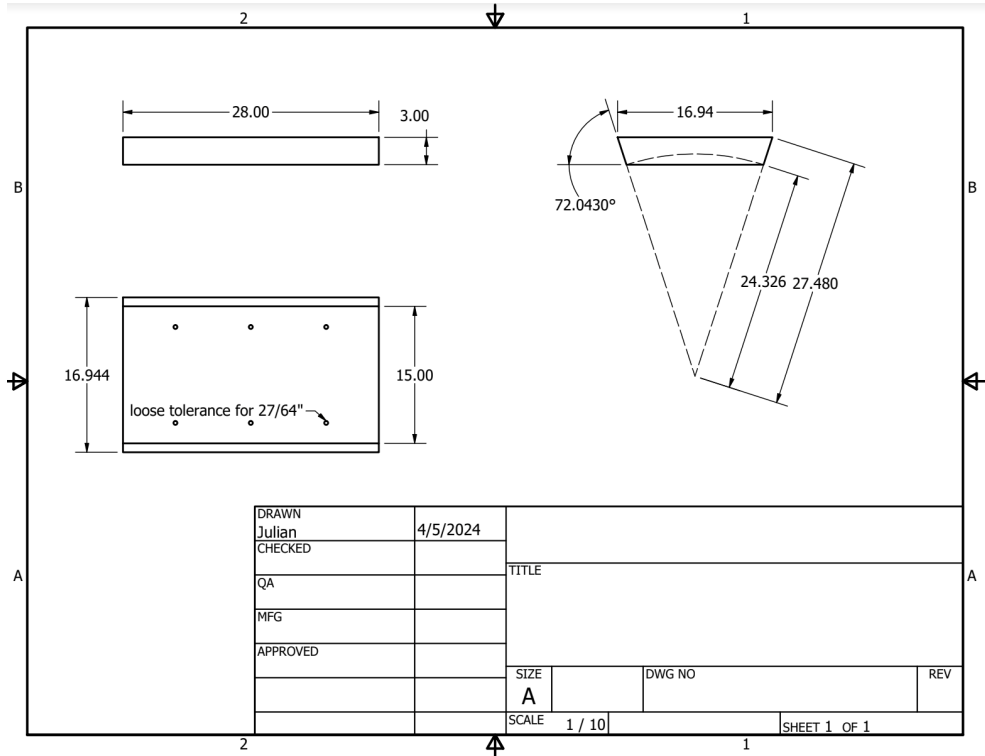
# Dodecagon – Even – 10.151 inch



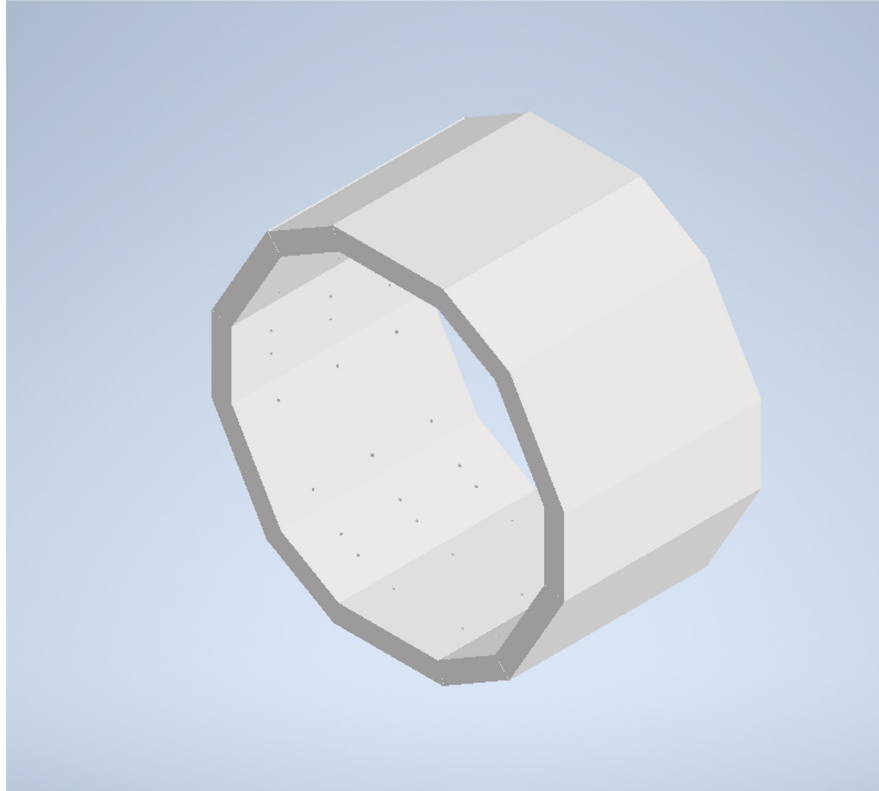
# Dodecagon – Odd – 15 inch (long)



# Dodecagon – Even – 15 inch (long)



# 3D view of the foam assembly



# Recent other news:

- The foam is arriving next week.
- We recieved the carbon fiber today (April 5th).

## Live pictures:

<https://photos.app.goo.gl/9pg38Ktr6VXDBgXi7>

## First version of the report:

[https://drive.google.com/file/d/1\\_tJpYzRLT5pPBsGPfD2KW7E3G9h\\_J5V3/view?usp=drive link](https://drive.google.com/file/d/1_tJpYzRLT5pPBsGPfD2KW7E3G9h_J5V3/view?usp=drive_link)