

ePIC CC Meeting

-

Welcome

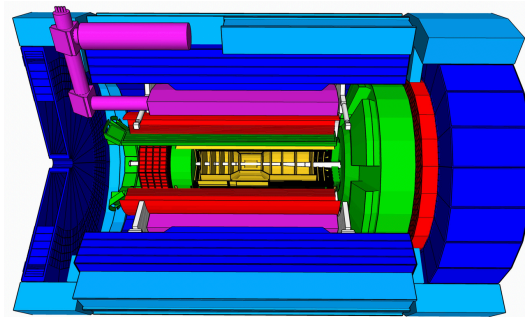
Ernst Sichtermann

(LBL)

and

Bernd Surrow

(Temple University)



Announcements

- All ePIC collaborators are welcome to attend the ePIC Collaboration Council (CC) Meeting, except for the closed session.
- Please keep your microphone muted if you are not speaking.
- We decided not to record the CC meetings some time ago, and I suggest we proceed this way again.
- We have four known guests of representatives of new institutions petition to join ePIC:
 - Matthew Nguyễn - Laboratoire Leprince-Ringuet
 - Ahmed Hamed - American University in Cairo
 - Meenu Thakur - Central University of Haryana
 - Amal Sarkar - IIT Mandi



Agenda

Part 1:

ePIC Collaboration Council Meeting ▼

▼ Friday Apr 26, 2024, 10:30 AM → 2:00 PM US/Eastern

Description Connection information: <https://temple.zoom.us/my/berndsurrow>

10:30 AM	→ 10:40 AM	Opening	▼
		<div style="background-color: #ccc; padding: 2px; margin-bottom: 5px;">10:30 AM</div> <p>Welcome, Agenda, and Minutes from previous meeting</p> <p>Speakers: Bernd Surrow (Temple University), Ernst Sichtermann (Lawrence Berkeley National Laboratory)</p> <div style="display: flex; justify-content: space-between; margin-top: 5px;"> ▼ ePIC_CC_Meeting_... ▼ Minutes of previous... </div>	▼ 10m
		<div style="background-color: #ccc; padding: 2px; margin-bottom: 5px;">10:40 AM</div> <p>News from SP Office</p> <p>Speaker: Silvia Dalla Torre (INFN, Trieste)</p> <div style="margin-top: 5px;"> ▼ CC-mtg_20242026_... </div>	▼ 10m
		<div style="background-color: #ccc; padding: 2px; margin-bottom: 5px;">10:50 AM</div> <p>New Institutions</p>	▼
		<div style="background-color: #ccc; padding: 2px; margin-bottom: 5px;">10:50 AM</div> <p>New institutions proposing to join ePIC⁴</p> <p>Speakers: Ernst Sichtermann (Lawrence Berkeley National Laboratory), Silvia Dalla Torre (INFN, Trieste)</p> <div style="margin-top: 5px;"> ▼ ePIC_CC_Meeting_... </div>	▼ 5m
		<div style="background-color: #ccc; padding: 2px; margin-bottom: 5px;">10:55 AM</div> <p>LLR participation in ePIC</p> <p>Speaker: Matthew Nguyen (Laboratoire Leprince-Ringuet)</p> <div style="margin-top: 5px;"> ▼ MatthewNguyen_LL... </div>	▼ 15m
		<div style="background-color: #ccc; padding: 2px; margin-bottom: 5px;">11:10 AM</div> <p>American University in Cairo participation in ePIC</p> <p>Speaker: Ahmed Hamed (American University in Cairo)</p> <div style="margin-top: 5px;"> ▼ ePIC-Membership_... </div>	▼ 15m
		<div style="background-color: #ccc; padding: 2px; margin-bottom: 5px;">11:25 AM</div> <p>Central University of Haryana participation in ePIC</p> <p>Speaker: Meenu Thakur (Central University of Haryana)</p> <div style="margin-top: 5px;"> ▼ MeenuThakur_Centr... </div>	▼ 15m
		<div style="background-color: #ccc; padding: 2px; margin-bottom: 5px;">11:40 AM</div> <p>IIT Mandi participation in ePIC</p> <p>Speaker: Amal Sarkar (RKMRC Narendrapur, Kolkata, India)</p> <div style="margin-top: 5px;"> ▼ AmalSarkar_IITMan... </div>	▼ 15m

Agenda

□ Part 2:

11:55 AM → 1:15 PM		▼ ▼
11:55 AM	Election Process / Vice-Chair Speaker: Helen Caines (Yale)	▼ 10m ▼ ▼
12:05 PM	Vice-Chair Candidate Statement 1 Speaker: Kenneth Barish (UC Riverside)	▼ 10m ▼ ▼
12:15 PM	Q&A Candidate 1	▼ 5m ▼ ▼
12:20 PM	Vice-Chair Candidate Statement 2 Speaker: Olga Evdokimov (UIC)	▼ 10m ▼ ▼
12:30 PM	Q&A Candidate 2	▼ 5m ▼ ▼
12:35 PM	Vice-Chair Candidate Statement 3 Speaker: Peter Steinberg (BNL)	▼ 10m ▼ ▼
12:45 PM	Q&A Candidate 3	▼ 5m ▼ ▼
12:50 PM	Vice-Chair Candidate Statement 4 Speaker: Thomas Ullrich (BNL)	▼ 10m ▼ ▼
1:00 PM	Q&A Candidate 4	▼ 5m ▼ ▼
1:05 PM	Comments/Questions	▼ 10m ▼ ▼

Agenda

□ Part 3:

1:15 PM → 1:35 PM	CC Committee Updates	
1:15 PM	Update on Membership Policy	10m
	Speakers: Peter Steinberg (BNL), Pietro Antonioli (INFN - sezione di Bologna)	
1:25 PM	Update on Conference and Talks Policy	10m
	Speakers: Brian Page (Brookhaven National Laboratory), Maria Zurek (Argonne National Laboratory)	
1:35 PM → 1:55 PM	Closed Session	
1:35 PM	Closed Session	20m
1:55 PM → 2:00 PM	Adjourn	
1:55 PM	AOB	5m

- We have a very packed agenda. Please stay within your allocated time slot.
- All speakers should present their material by sharing their screen unless you tell us otherwise. Please upload your slides to INDICO or let us know if you need help.
- Thank you!

Proxy Representation

- Known proxy representation in today's meeting:
 - Jaroslav Bielcik (CTU) for Jana Bielcikova (NPI CAS)
 - Jenni Ott (UC Santa Cruz) for Vitaliy Fadeyev (UC Santa Cruz)

Membership

- Recent changes to the Collaboration Council Membership:
 - Zhangbu Xu is the Kent State U. Council Member following KSU's admission to ePIC
 - Fred Olness has notified us that Southern Methodist U. is withdrawing from ePIC
 - Roberto Preghenella has been added as a 2nd Council Member for INFN Bologna
 - Brian Page has taken over from Zhangbu Xu as a BNL Council Member
 - Olga Evdokimov has taken over from Austin Baty at UIC's Council Member
 - Arghya Mukherjee has taken over from Amal Sarkar as RKMRC's Council Member
 - Several other, more minor changes have been made to the CC Membership list