

B725 Main Data Hall

As of 05/01/2024

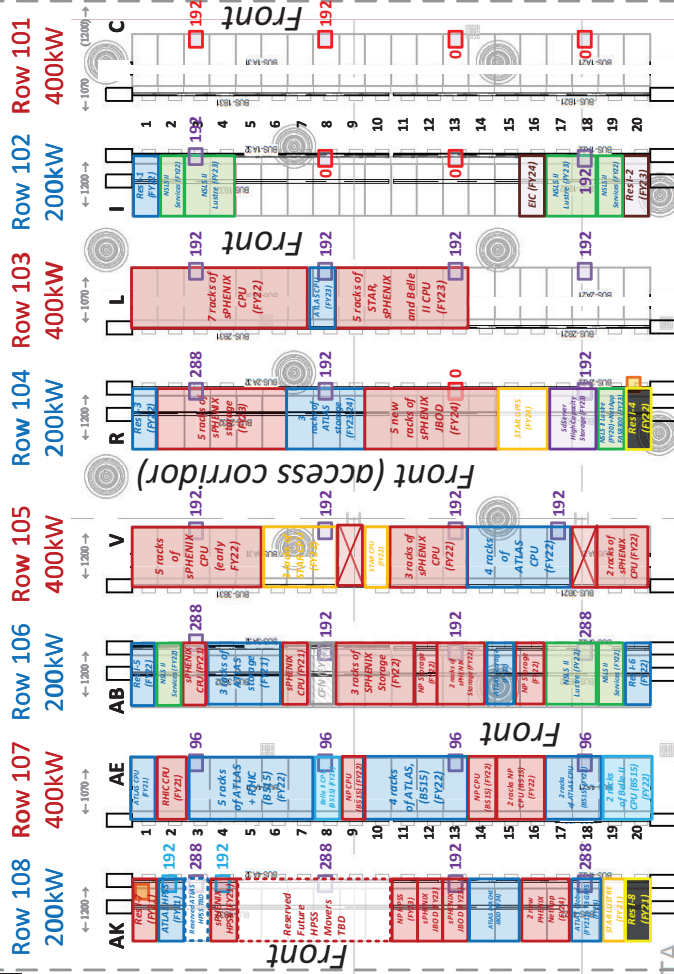
NP + SPHENIX(53) ATLAS(32)
 BELLE II(3) CSI(8) NSLS II(13)
 EIC(2) STAR(7) CFN(1)
 RHEV(2)

Total Active Racks in Main Data Hall: **121**

Low Density (LD) Area (113 out of 158 racks used)

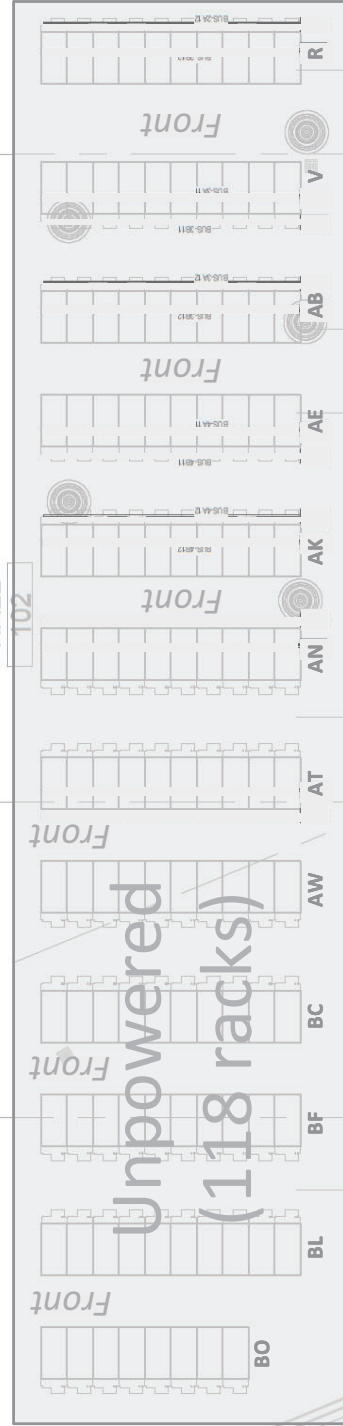
71 Active Racks / 78 :: (1.2 MW) :: PS #2

42 Active Racks / 80 :: (1.2 MW) :: PS #1



Row 107 400kW Row 108 200kW Row 109 200kW Row 110 200kW

Row 104 200kW Row 105 400kW Row 106 200kW Row 103 400kW Row 102 200kW Row 101 400kW



Row 102 200kW Row 103 400kW Row 104 200kW Row 105 400kW

Row 101 400kW

Unpowered (118 racks)

Rack position is blocked by a roof supporting column

Infrastructure rack allocation
 GPS time sync servers location

8 Active Racks / 30 :: (0.9 MW capacity) :: PS #3
 High Density (HD) Area

