

Task Name	Duration	Start	Timeline											
			Nov '23	Dec '23	Jan '24	Feb '24	Mar '24	Apr '24	May '24	Jun '24	Jul '24	Aug '24	Sep '24	Oct '24
Vessel & mirror construction	205 d	Mon 10/23	[Gantt chart bar from Oct 2023 to Aug 2024]											
Overall design parameters frozen	1 day	Mon 10/23/23	[Gantt chart bar]											
Purdue (Vessel)	56 da	Tue 2/20/24	[Gantt chart bar from Feb 2024 to May 2024]											
End ring prototype with small radius	5 days	Tue 2/20/24	[Gantt chart bar]											
Surface roughness, tool compensation	12 day	Sun 2/25/24	[Gantt chart bar]											
Tool machining start	6 days	Sun 3/10/24	[Gantt chart bar]											
Tool ready - metrology and QC/QA	1 day	Fri 3/15/24	[Gantt chart bar]											
Layup of all 4 end ring quarters	12 day	Sat 3/30/24	[Gantt chart bar]											
Machining & Assembly of 4 quarters	6 days	Mon 4/15/24	[Gantt chart bar]											
Layup of all 4 end ring quarters (ring 2)	1 day	Mon 4/15/24	[Gantt chart bar]											
Machining & Assembly of 4 quarters (ing 2)	1 day	Thu 4/25/24	[Gantt chart bar]											
Ship End Ring 2 to SBU	6 days	Tue 4/30/24	[Gantt chart bar]											
Ship End Ring 1 to SBU	8 days	Sat 4/20/24	[Gantt chart bar]											
Stony Brook (Vessel)	137 d	Fri 2/02/24	[Gantt chart bar from Feb 2024 to Aug 2024]											
Order Motion Components	1 day	Fri 2/02/24	[Gantt chart bar]											
Honey Comb Arrives	0 days	Tue 4/09/24	[Gantt chart bar]											
Magnetic Stripe Arrives	0 days	Mon 2/26/24	[Gantt chart bar]											
Carbon Fiber Arrives	0 days	Fri 2/16/24	[Gantt chart bar]											
Shaft Arrives	0 days	Tue 2/27/24	[Gantt chart bar]											
Foam Arrives	4 days	Fri 4/19/24	[Gantt chart bar]											
8020 acquisition / procurement	1 day	Fri 2/02/24	[Gantt chart bar]											
Foam blocks procurement	1 day	Tue 2/27/24	[Gantt chart bar]											
Mandrel 80-20 parts ready for assembly	0 days	Tue 2/27/24	[Gantt chart bar]											
Set up Motors	2 days?	Fri 3/01/24	[Gantt chart bar]											
80-20 Table Assembly	1 day	Wed 2/28/24	[Gantt chart bar]											
Mandrel 80-20 frame assembly	14 day	Tue 3/05/24	[Gantt chart bar]											
Install Mandrel Frame	1 day	Mon 3/25/24	[Gantt chart bar]											
Order Shell Materials	1 day	Fri 2/02/24	[Gantt chart bar]											
Begin Milling	0 days	Mon 6/03/24	[Gantt chart bar]											
Table Leveling	1 day?	Thu 2/29/24	[Gantt chart bar]											
Surveying:Allignment	3 days	Thu 5/30/24	[Gantt chart bar]											
Foam preparation	20 day	Thu 4/25/24	[Gantt chart bar]											
Foam installation	5 days	Thu 5/23/24	[Gantt chart bar]											
Foam milling to shape	20 day	Tue 6/04/24	[Gantt chart bar]											
Outer shell construction	30 day	Tue 7/02/24	[Gantt chart bar]											
All components ready for assembly	50 day	Wed 6/05/24	[Gantt chart bar]											
All components are assembled	1 day	Thu 8/01/24	[Gantt chart bar]											
Stony Brook (mirrors)	43 da	Tue 1/30/24	[Gantt chart bar from Feb 2024 to May 2024]											
Evaporation 3 Reflectivity Test	3 days	Tue 1/30/24	[Gantt chart bar]											
Designing Large Lexan Cone	14 day	Thu 2/01/24	[Gantt chart bar]											
Lexan Cone Completion	13 day	Thu 2/22/24	[Gantt chart bar]											
Ordering Reference Mirror	1 day	Thu 2/01/24	[Gantt chart bar]											
Reference mirror arrives	1 day	Wed 2/07/24	[Gantt chart bar]											
Full Lexan cone coating	1 day	Tue 3/12/24	[Gantt chart bar]											
Bi-weekly Evaporation	38 da	Tue 2/06/24	[Gantt chart bar from Feb 2024 to May 2024]											
Lexan cone reflectivity test	3 days	Wed 3/13/24	[Gantt chart bar]											

Foam arrived previous Friday

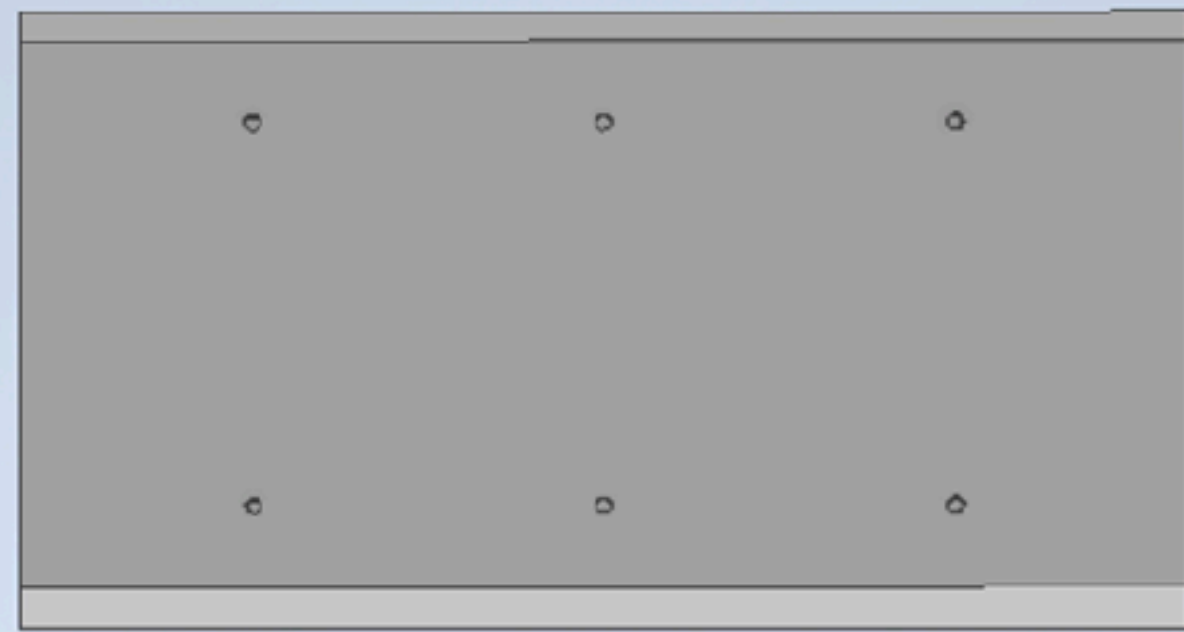
- Foam preparation (next slides): 2 weeks
- Foam installation: 2 days
- Foam milling: 3/4 weeks

Ready 1st week of July

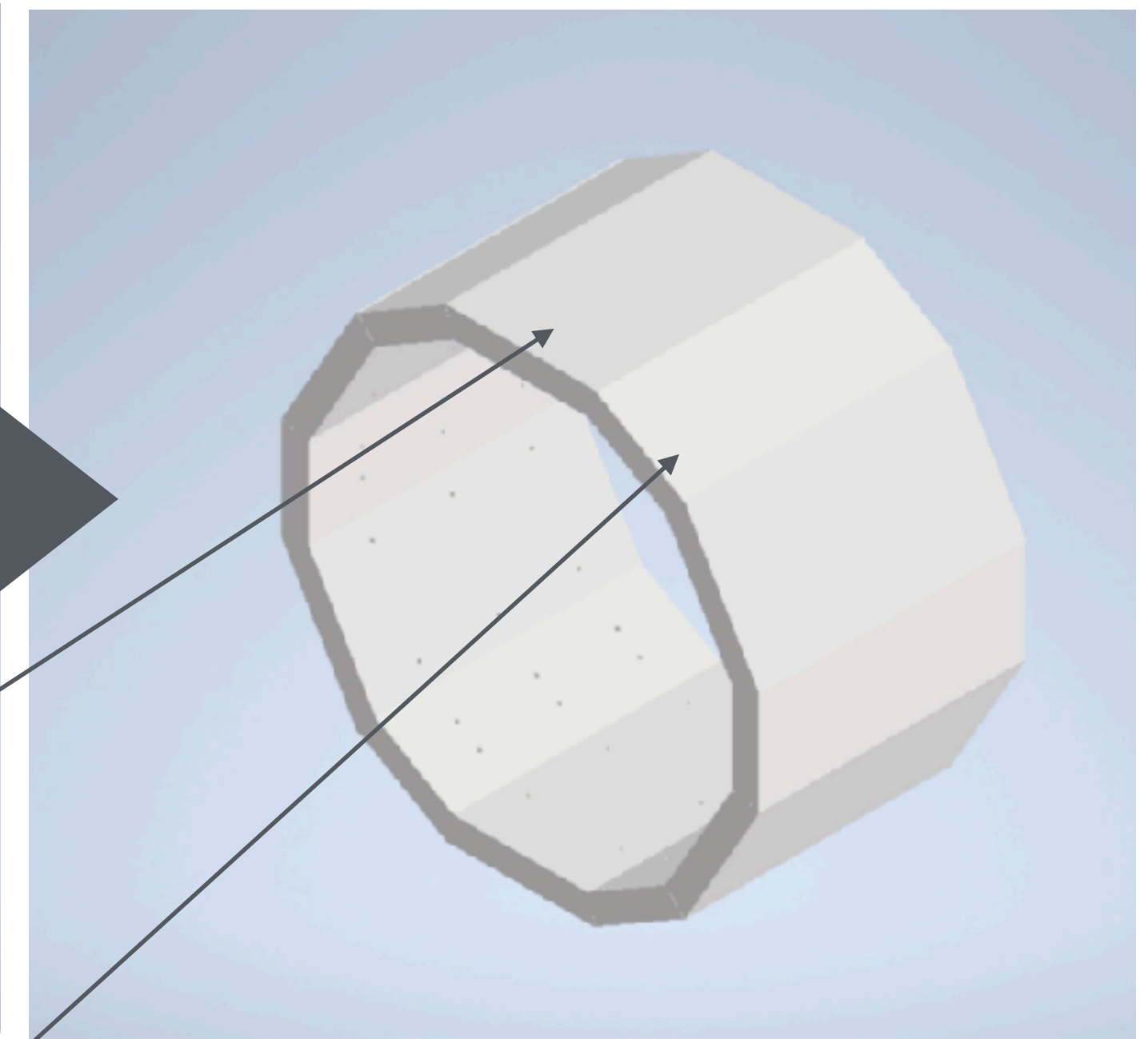
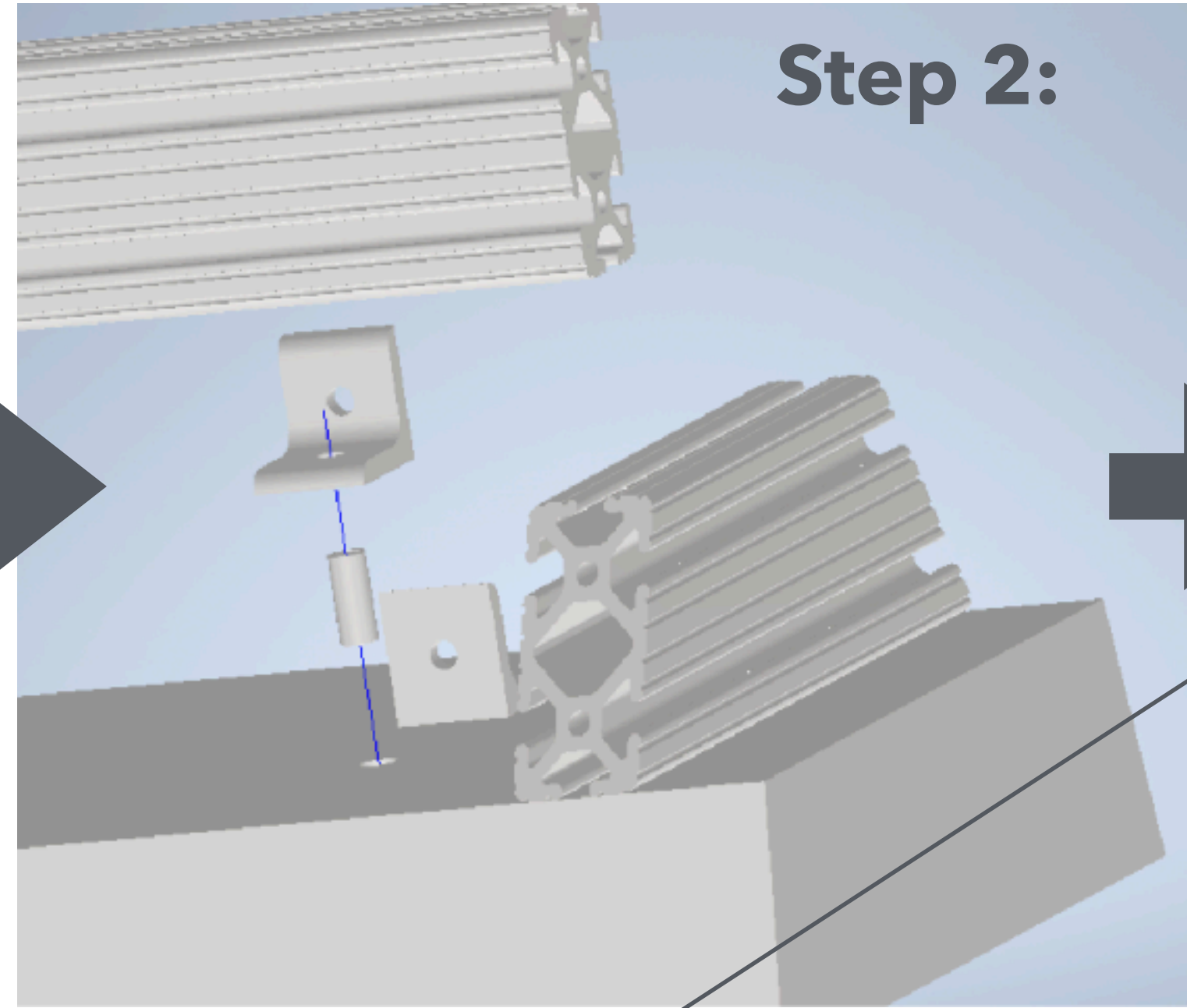
Remained budget from PED:

~ 7k dollars

Step 1:



Step 2:



15 inch long (x6)

11.431 inch long (x6)

