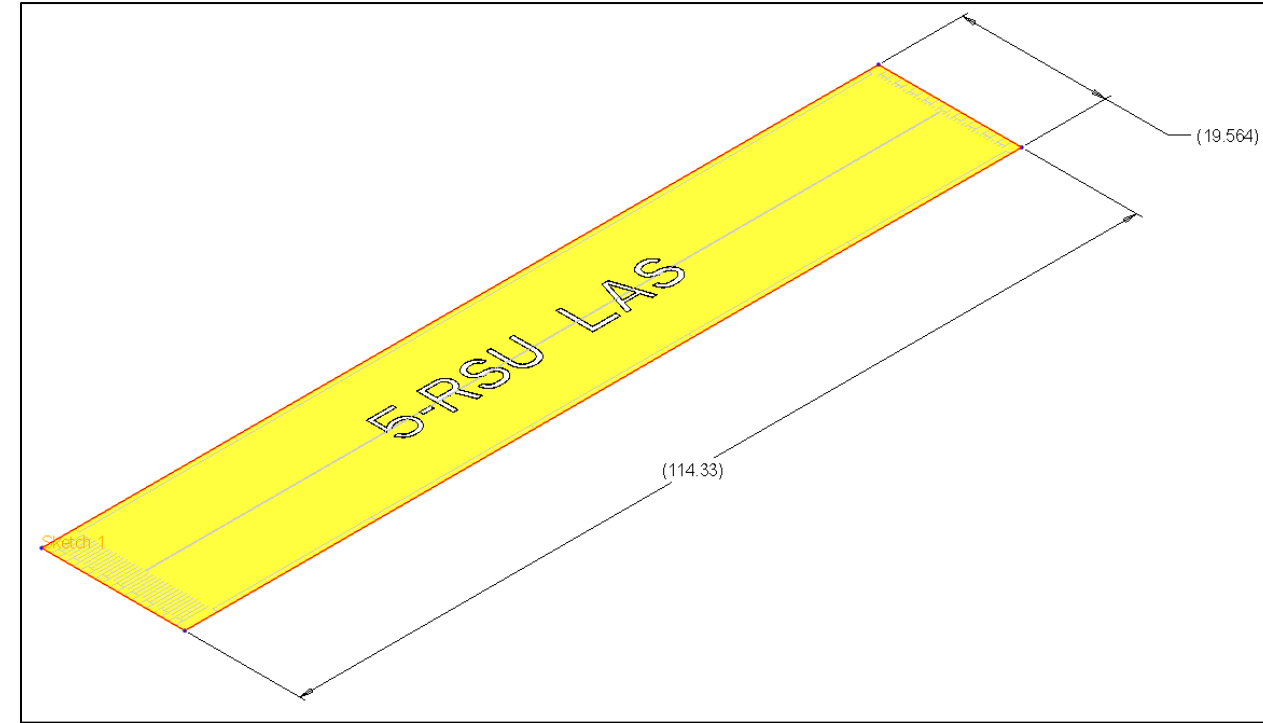
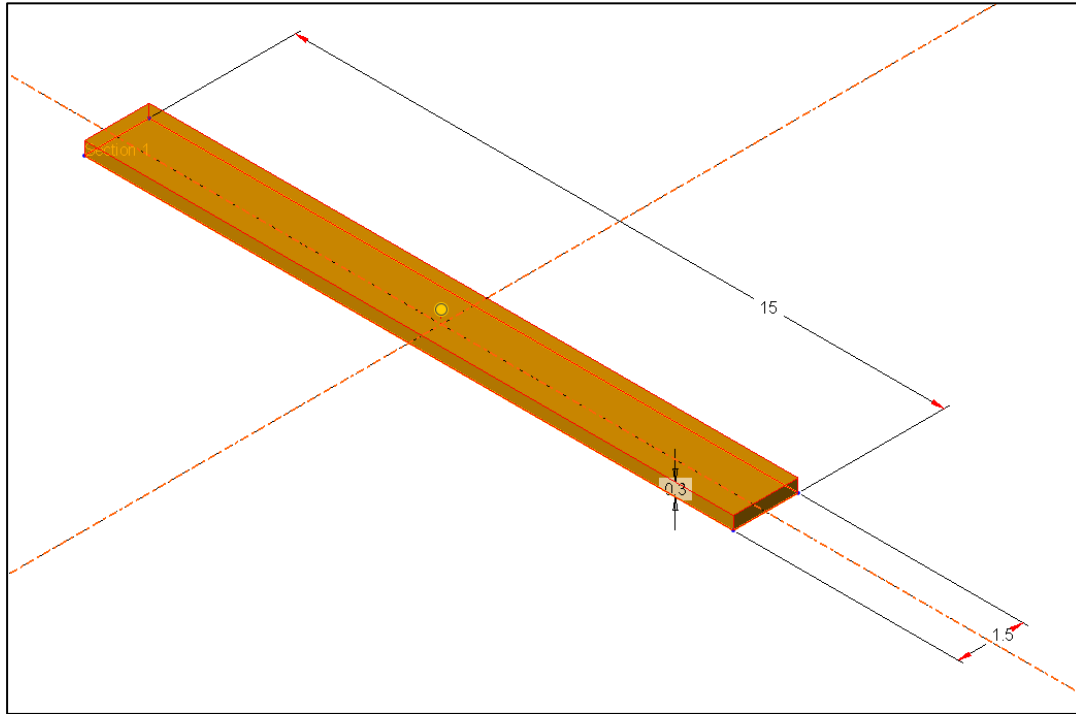


OB module: parts dimensions

20250203

M.Borri, J.Glover, K.Davies

AncAsic + LAS(5RSU)



OK to baseline prototyping on these dimension?
To sanity check with ASIC designers

(ToDo: to define dimensions of babyLAS (LEC + 1 RSE + REC),
beneficial to optimise wafer space for prototyping)