

ePIC CC Meeting

-

Welcome

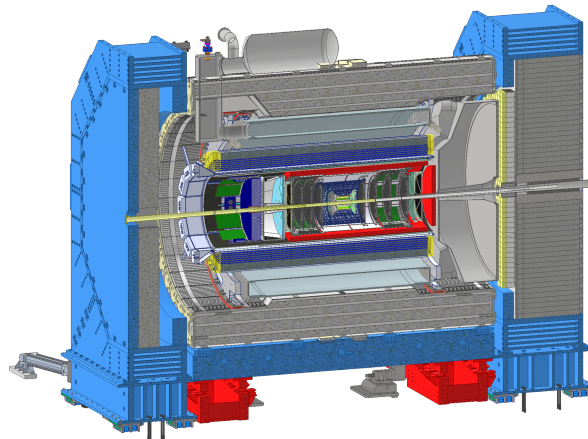
Thomas Ullrich

(BNL)

and

Bernd Suroow

(Temple University)



Outline

- Reminder of Meeting Conduct

- Proxy Representation for ePIC CC meeting

- Agenda Overview and Orientation

- Approval of Minutes - CC meeting January 23, 2025

- Announcements

Reminder of Meeting Conduct

- All ePIC collaborators are welcome to attend the ePIC Collaboration Council

(CC) Meeting, except for the closed session.

- Please keep your microphone muted if you are not speaking.
- We decided not to record the CC meetings some time ago, and I suggest we

proceed this way again.

Proxy Representation

- Known proxy representation in today's meeting:
 - Susanna Costanza (INFN Pavia) for Marco Radici (INFN Pavia)
 - Pawel Nadel-Turonski (University of South Carolina) for Yordanka Ilieva (University of South Carolina)
 - Roberto Preghenella (INFN Bologna) for Pietro Antonioli (INFN Bologna)
 - Mariusz Przybycien (AGH University of Krakow) for Janusz Chwastowski (Institute of Nuclear Physics, Polish Academy of Sciences)
 - Ernst Sichtermann (LBL) for Barbara Jacak (UC Berkeley)
 - Anselm Vossen (Duke University) for Christine Aidala (University of Michigan)

Agenda Overview and Orientation

□ Overview

- We have a very packed agenda. **Please stay within your allocated time slot!**
- All speakers should present their material by sharing their screen unless you tell us otherwise. Please upload your slides to INDICO or let us know if you need help.
- 4 New Institution Presentations
- Report from the SP Office
- ePIC/EICUG Outreach activities
- Updates on ePIC policies
- Closed session

ePIC Collaboration Council Meeting		
Friday Apr 4, 2025, 10:30 AM → 1:45 PM US/Eastern		
Description ZOOM link: https://temple.zoom.us/j/98570118389?pwd=ATWEeVOaTbIaiPXGsSFInupR3DJDII.1 Minutes from the last ePIC CC meeting, January 23, 2025: Click here!		
10:30 AM → 10:45 AM	Welcome (10+5) Speakers: Bernd Surrow (Temple University), Thomas Ullrich (BNL) ePIC_CC_Meeting...	15m
10:45 AM → 11:00 AM	New Institution Presentation - Texas Southern University (10+5) Speaker: Niseem (Magdy) Abdelrahman (Texas Southern University) TSU_ePIC_Prop-MH...	15m
11:00 AM → 11:15 AM	New Institution Presentation - University of Mainz (10+5) Speaker: Tyler Kutz (MIT) kutz_JGU_ePIC.pdf	15m
11:15 AM → 11:30 AM	New Institution Presentation - Mount Allison University (10+5) Speaker: David Hornidge (Mount Allison University) EIC_membership.pdf	15m
11:30 AM → 11:45 AM	New Institution Presentation - University of Hawai'i at Manoa (10+5) Speaker: Jennifer Ott (University of California, Santa Cruz (US)) J0T_ePIC_UHawaii...	15m
11:45 AM → 12:00 PM	News from Spokesperson Office (10+5) Speakers: John Lajole (Oak Ridge National Laboratory), Silvia Dalla Torre (INFN, Trieste) News from the SP O...	15m
12:00 PM → 12:15 PM	ePIC/EIC-UG outreach activities (10+5) Speakers: Dr E. C. Aschenauer (BNL), Jana Blielcikova (Nuclear Physics Institute, Czech Academy of Sciences) EIC.OutReach.0404...	15m
12:15 PM → 12:25 PM	Upcoming Nominations / Elections (5+5) Speakers: Helen Caines (Yale), Kenneth Barish (UC Riverside)	10m
12:25 PM → 12:45 PM	Membership Committee / Analysis of Survey (15+5) Speaker: Peter Steinberg (BNL)	20m
12:45 PM → 1:00 PM	Summary Result Release Committee / Comments (10+5) Speaker: Rongrong Ma (Brookhaven National Laboratory)	15m
1:00 PM → 1:30 PM	Publication Policy / Discussion (20+10) Speakers: Annalisa Mastroserio (Università degli Studi di Foggia and INFN), Rene Bellwied (University of Houston) ePIC-pp-apr25.pdf ePIC_Publication_P...	30m
1:30 PM → 1:45 PM	Closed Session Speakers: Bernd Surrow (Temple University), Thomas Ullrich (BNL)	15m

Approval of Minutes

□ Agenda from CC meeting on November 23, 2025: <https://indico.bnl.gov/event/25666/>

Minutes from the ePIC Collaboration Council Meeting on January 23, 2025

Location: Rome Collaboration meeting / CC Meeting

Mode: Hybrid

Agenda: <https://indico.bnl.gov/event/25666/>

All presentations are available at the above link. Highlights from the discussion session are summarized below.

Topics: EIC Research Engagement, Funding Models, Publications, and Collaboration Operations

Discussion Points

Engagement with Jefferson Lab and Broader Community:

- Need to enhance collaboration with Jefferson Lab.
- A summer meeting co-organized with the EIC User's group is planned to facilitate outreach.
- Intent to present EIC capabilities and engage directly through talks at *Jefferson Lab* events.

Funding Models and DOE Office Structure:

- Concern over fragmented funding streams for EIC, RHIC, and LHC projects.
- Hybrid grant models may no longer suffice as EIC grows.
- DOE reportedly has no plan to create a separate EIC office; internal redirection of funds is being considered.
- Clear guidance from DOE leadership is critical for defining EIC-eligible funding.

Collaboration Publications & Milestones:

- Aim to publish a technical detector paper (linked to TDR/pre-TDR) and a scientific publication aligned with early science program goals.
- Discussions on centralization vs. decentralization of paper submission and corresponding authorship.
- Acknowledgment of the importance of giving early-career researchers credit and experience in corresponding roles.

Common Funds & Authorship Policies:

- Debate over requiring quotas tied to financial contributions.

- Concerns raised about exclusion from authorship due to non-payment and its negative effects on collaboration spirit.
- Proposal to explicitly protect early-career scientists' contributions in policies and bylaws.

Outreach and Resource Allocation:

- Discontent with fixed outreach budgeting; suggestion to scale efforts dynamically, especially during early engagement phases.
- Recognized value of sustained outreach over the life of the collaboration.

Publication & Review Procedures:

- Clarification needed on policies for preliminary results, especially when corrections are required.
- Suggestion to establish a formal retraction mechanism.
- Debate over mandatory cross-checks and their practicality at the current (simulated) data phase.
- Emphasis on internal review processes and quality assurance through culture, not just policy.

Identity and Branding Guidelines:

- Calls for stronger plot style and presentation branding (e.g., consistent logos, fonts) to emulate recognizable standards from CMS, ATLAS, etc.

Membership & Service Commitment Tracking:

- Institutions must submit a Statement of Service to remain in good standing.
- A database system is being developed to manage member updates and new entries efficiently.
- Issues noted with incomplete submissions; reminders were sent to non-responsive institutions.

Action Items:

#	Action	Responsible Party	Deadline/Timeline
1	Coordinate speaker participation at JLab events to boost engagement	EIC leadership & collaborators	Prior to summer meeting
2	Develop clearer guidance for DOE program managers on EIC support	DOE leadership	ASAP

Announcements

- Transition of Vice-Chair / Chair appointment for CC committees
 - With the **completion of various policies**, we decided not to disturb the process, asking several chairs to continue until the policies were in place.
 - We want to express our **sincere thanks** to those who helped with this!
 - The **Nomination/Election process has started (See presentation!)**. Thank you!

- Update of charter
 - We are still in conversations about forming an **ad-hoc committee to help with updating the charter** over the next couple of months considering that several aspects would benefit from refinements!