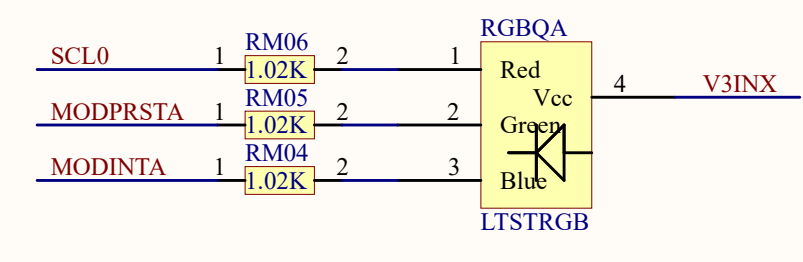
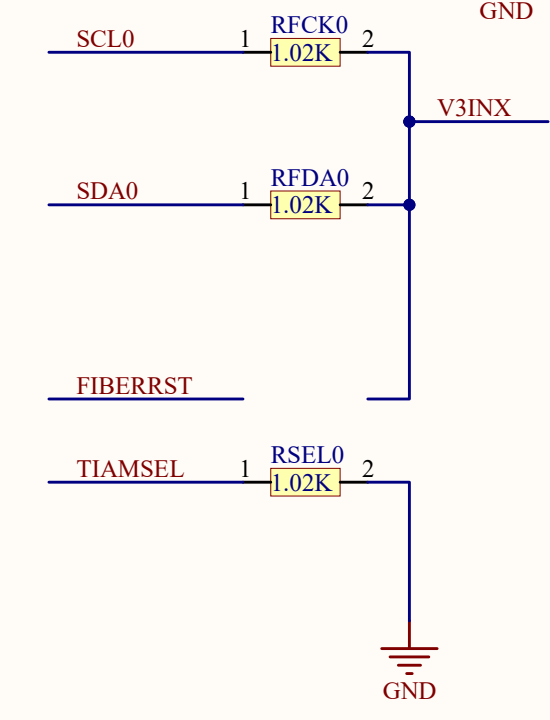
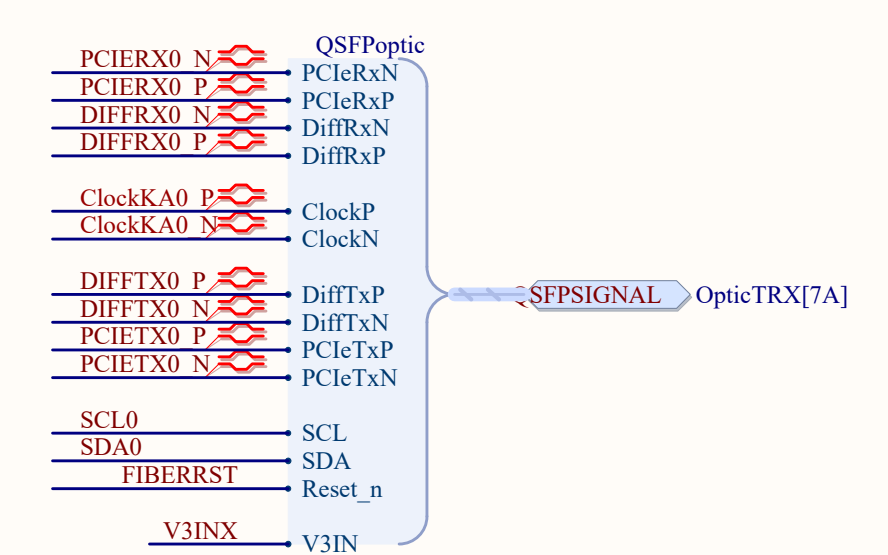
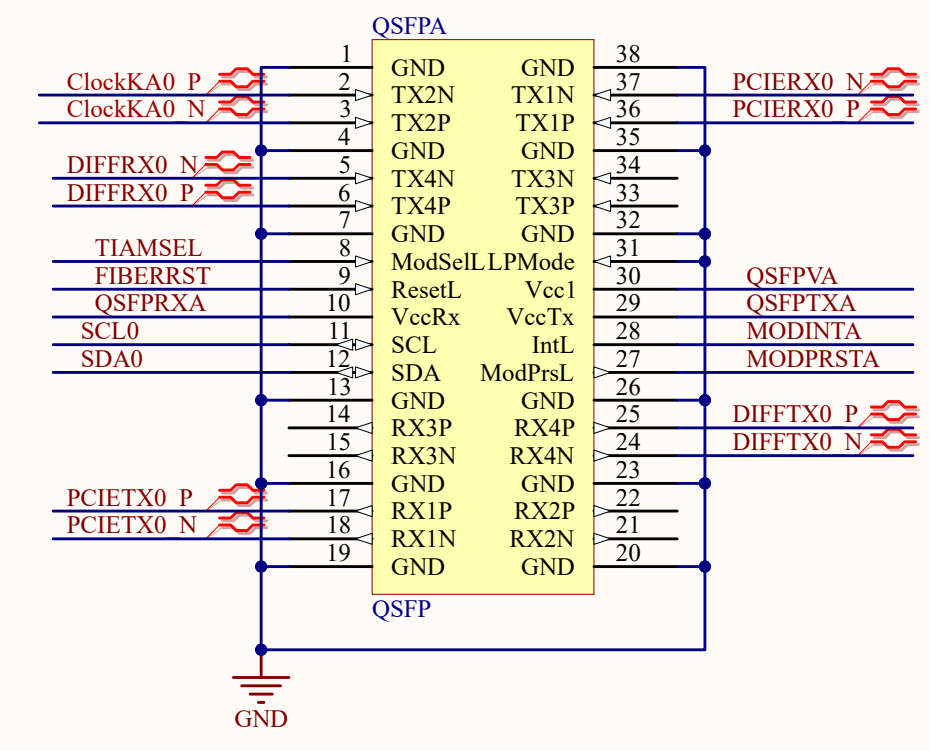
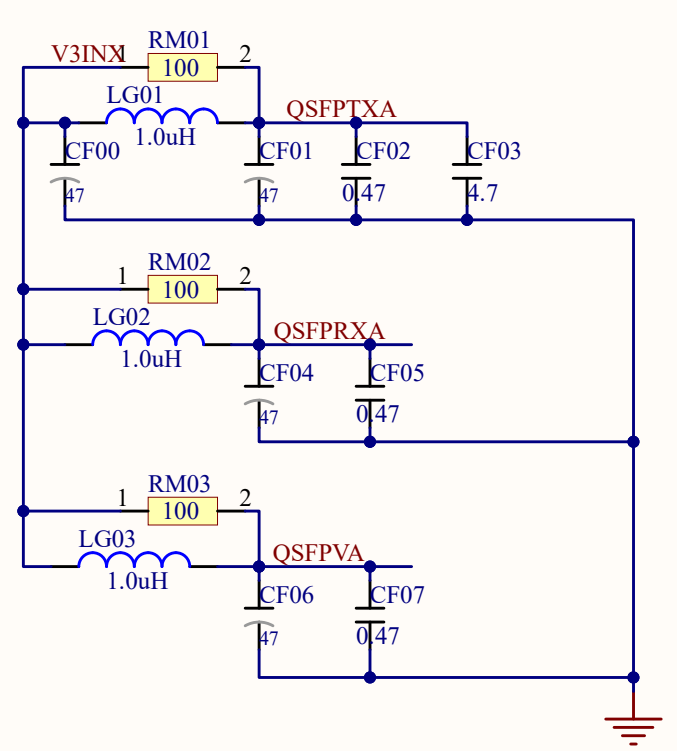
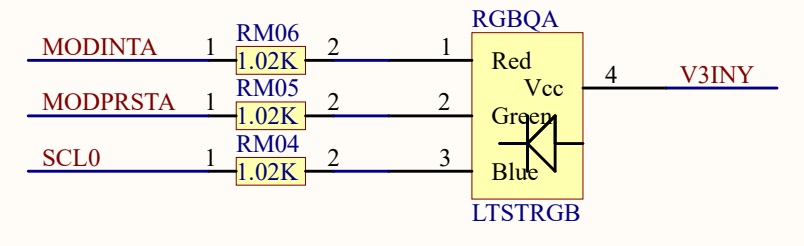
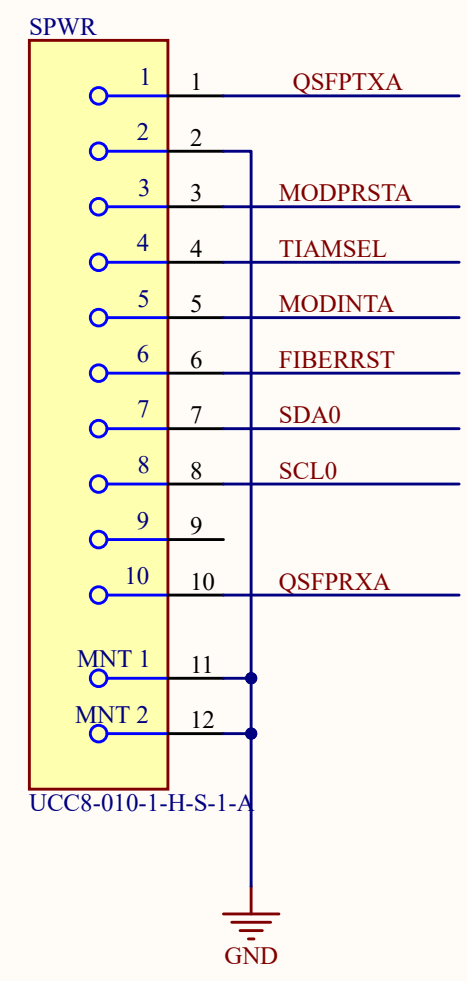
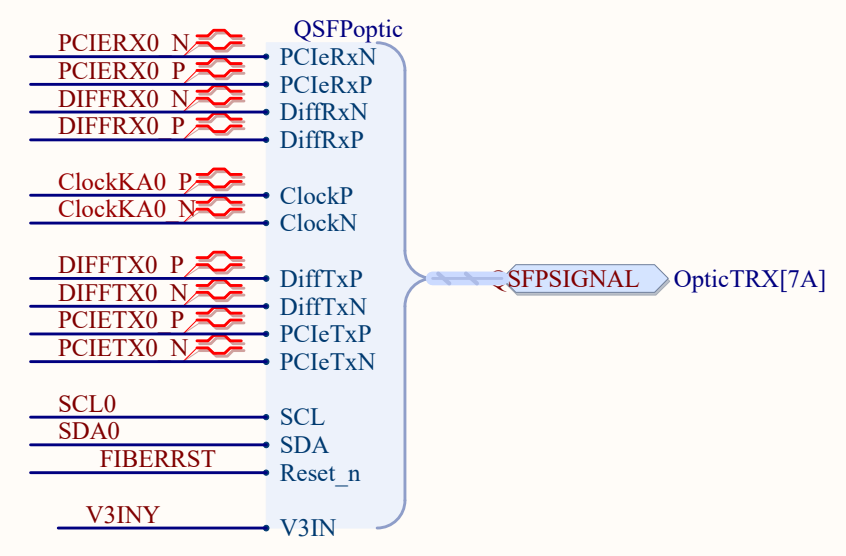
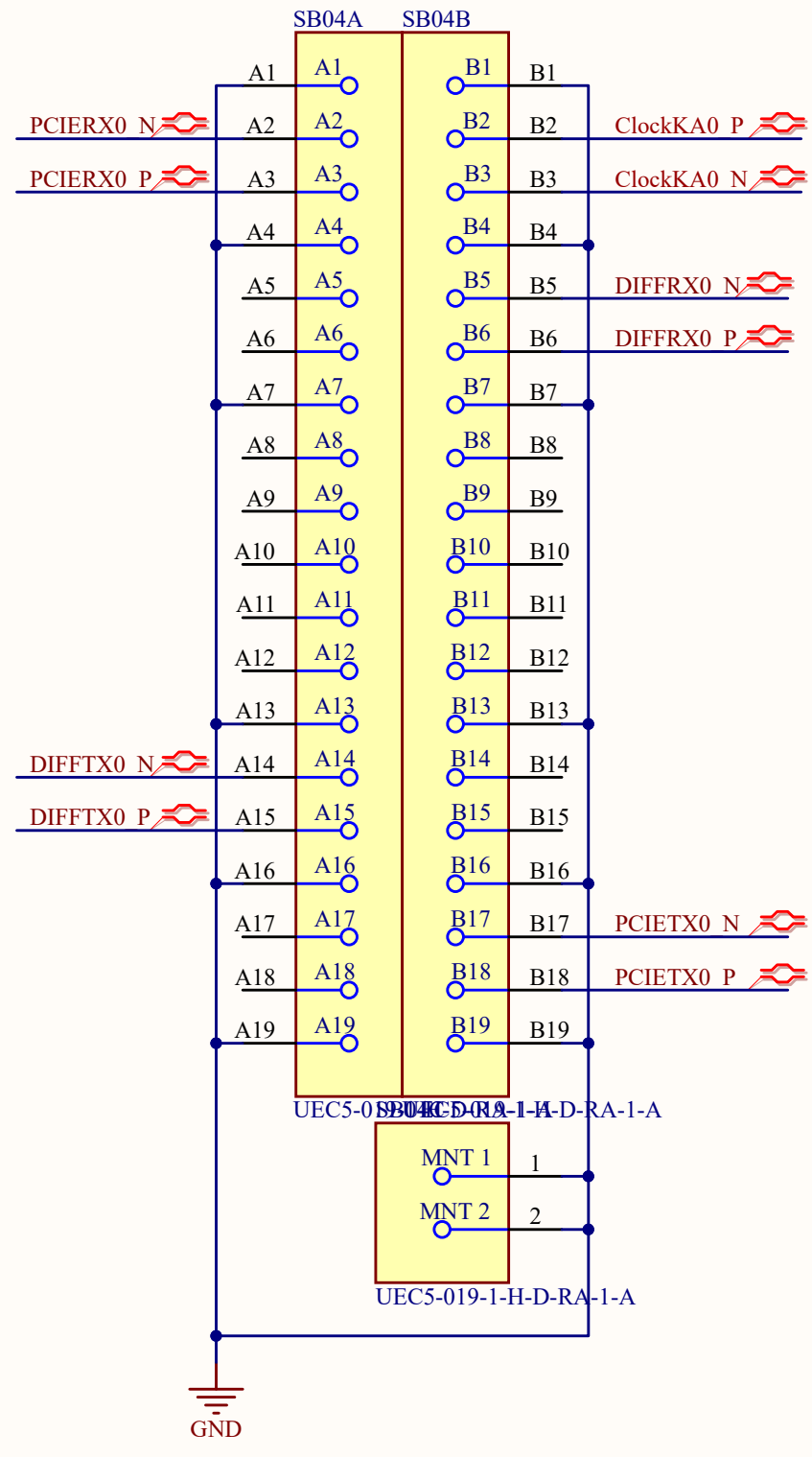
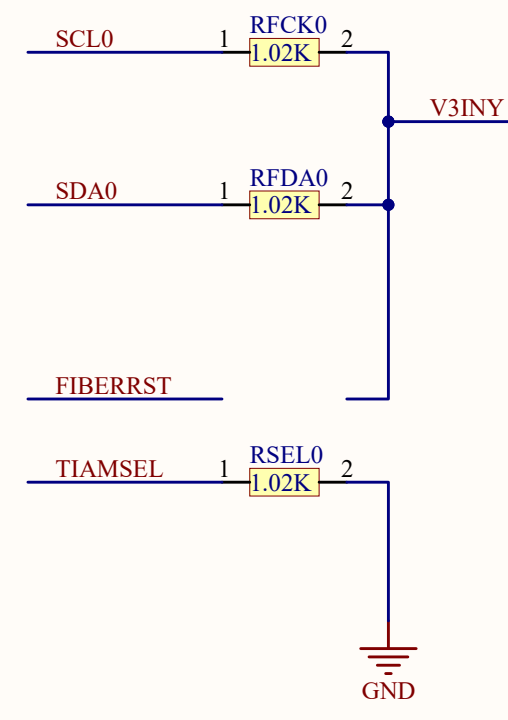
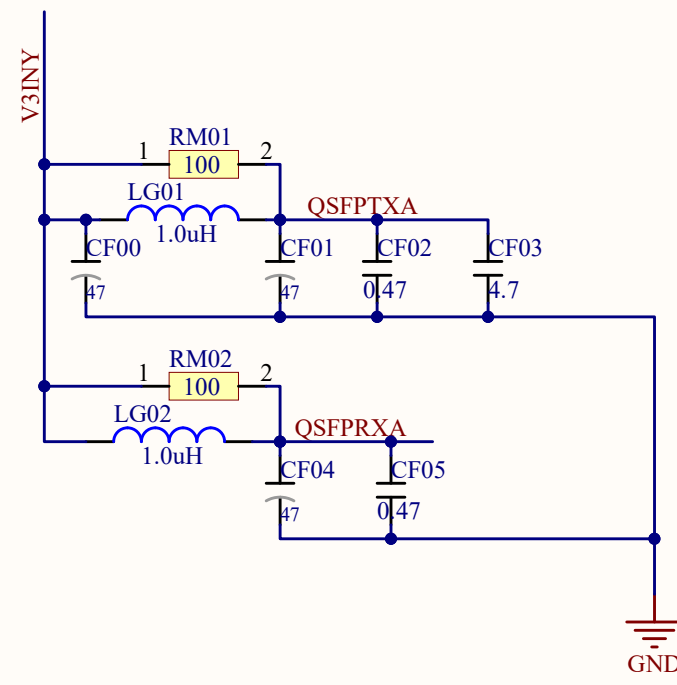


Title		Revision	
Size	D	Number	1
Date	11/05/2005	Sheet of	1
File	C:\pcb\OptiGTLU\OptiTRX.SchDoc	Drawn By:	



Title			
<b>Fiber Interface</b>			
Size	Number	Revision	
B	9		
Date:	11/05/2025	Sheet of	13
File:	C:\pcb\OpticGTU\QSFPin.SchDoc	Drawn By:	GU



Title			
<b>Fiber Interface</b>			
Size	Number	Revision	
B	9		
Date:	11/05/2025	Sheet of	13
File:	C:\pcb\OpticGTU\SamtecB04.SchDoc	Drawn By:	GU