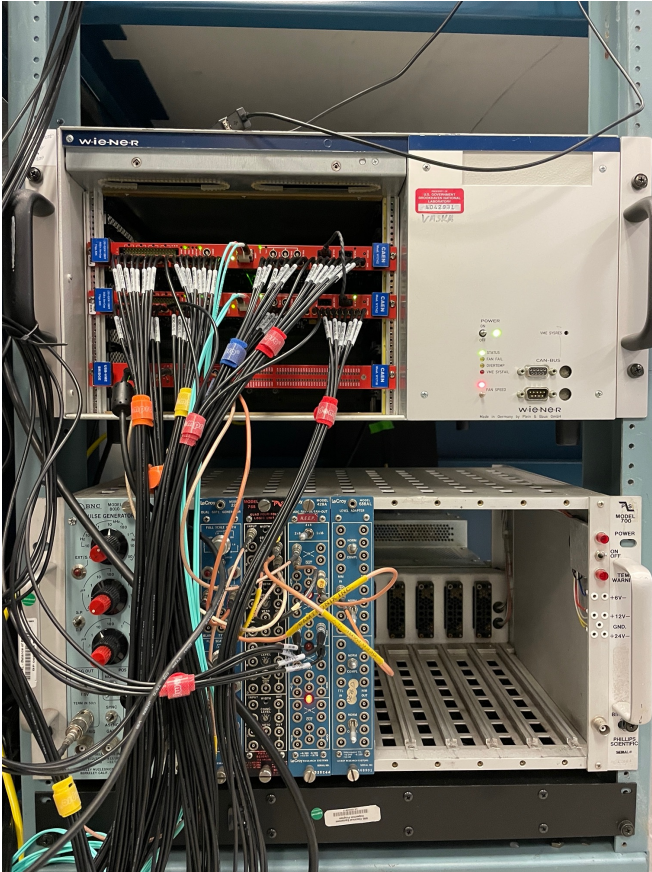
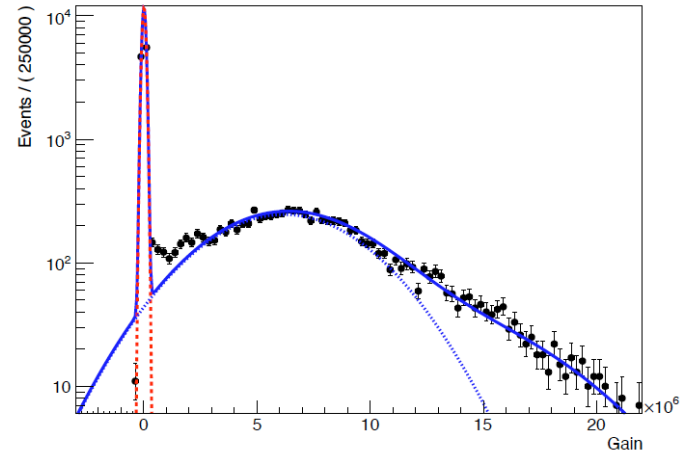


Electronics, computing, software

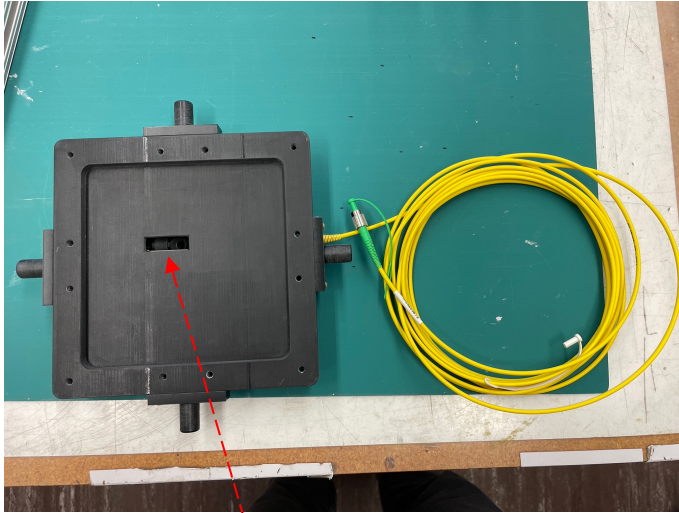


- Digitizer stuff was ready and reported last week
- NIM logic, triggers, programmable latch configured
 - DAQ rate is presently limited by ~ 300 Hz (should be higher)
 - Collecting 20k events presently takes about a minute; file size ~ 2.2 GB
 - Bare processing (decoding) takes less than two minutes
 - This is how amplitude spectrum with ~ 2 k useful events looks like:

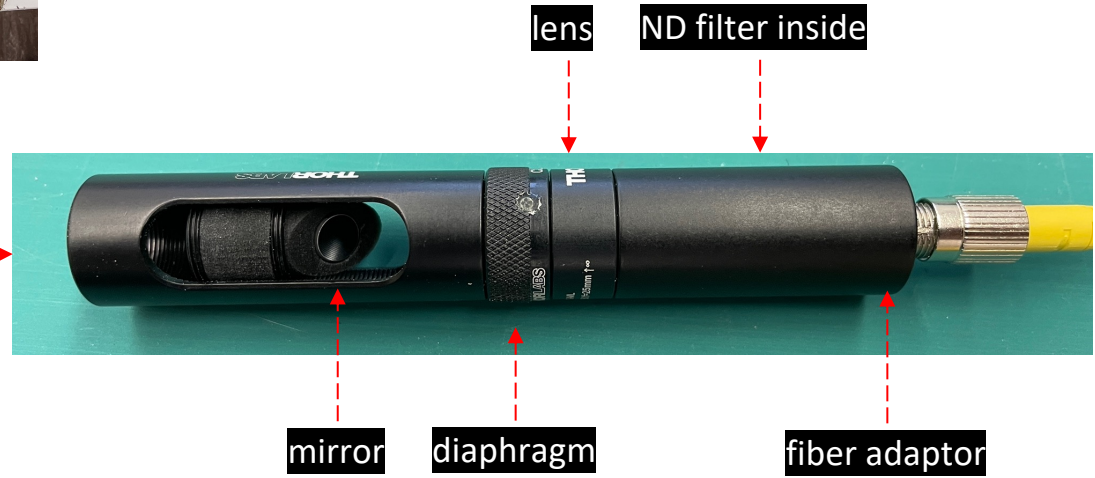


- **Dry run on this part tomorrow?**

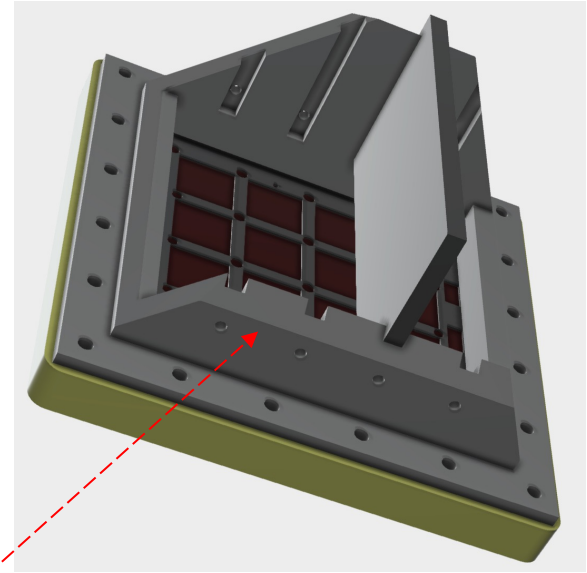
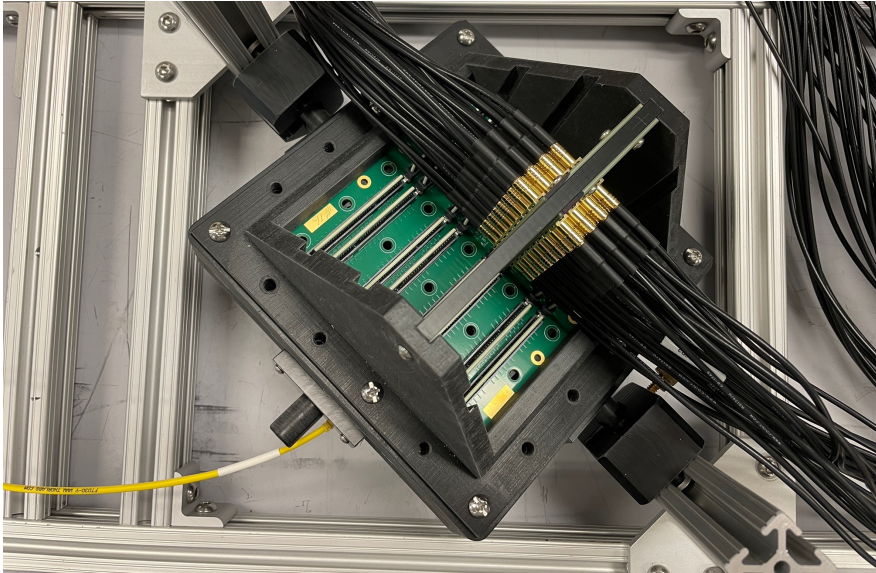
Some details related to HRPPD assembly



- All optical components are obviously available
- Received HRPPD window from Mark
 - Optical setup should be adjusted by Friday



Other hardware adjustments



- 3D printed HRPPD enclosure will be shaved off
- Should be able to achieve tilts of up to $[-35^{\circ} .. +35^{\circ}]$ in one projection and $[-35^{\circ} .. +20^{\circ}]$ in the other one