

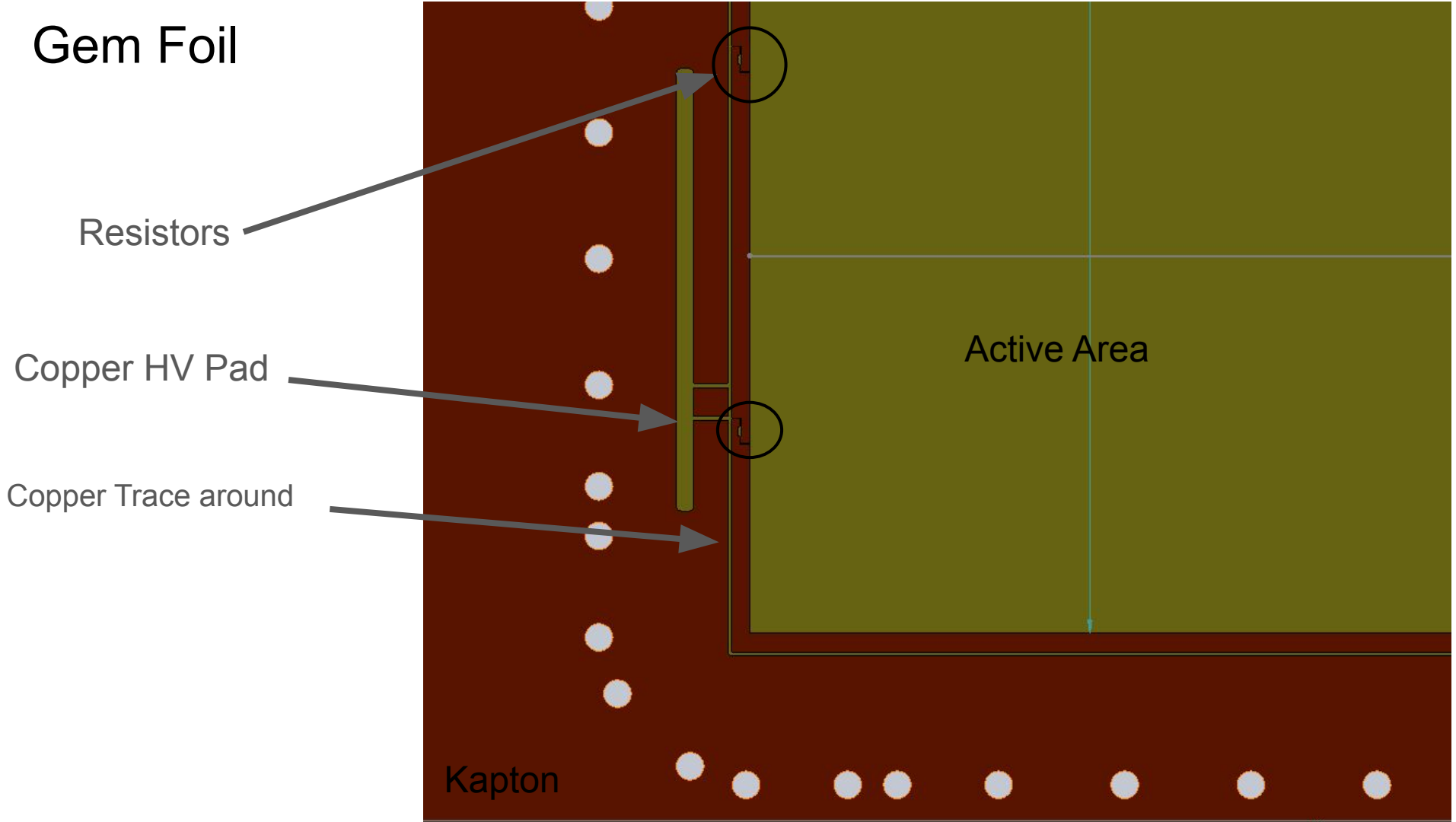
Mechanically Stretched Thin Gap Hybrid Detector

Florida Institute of Technology

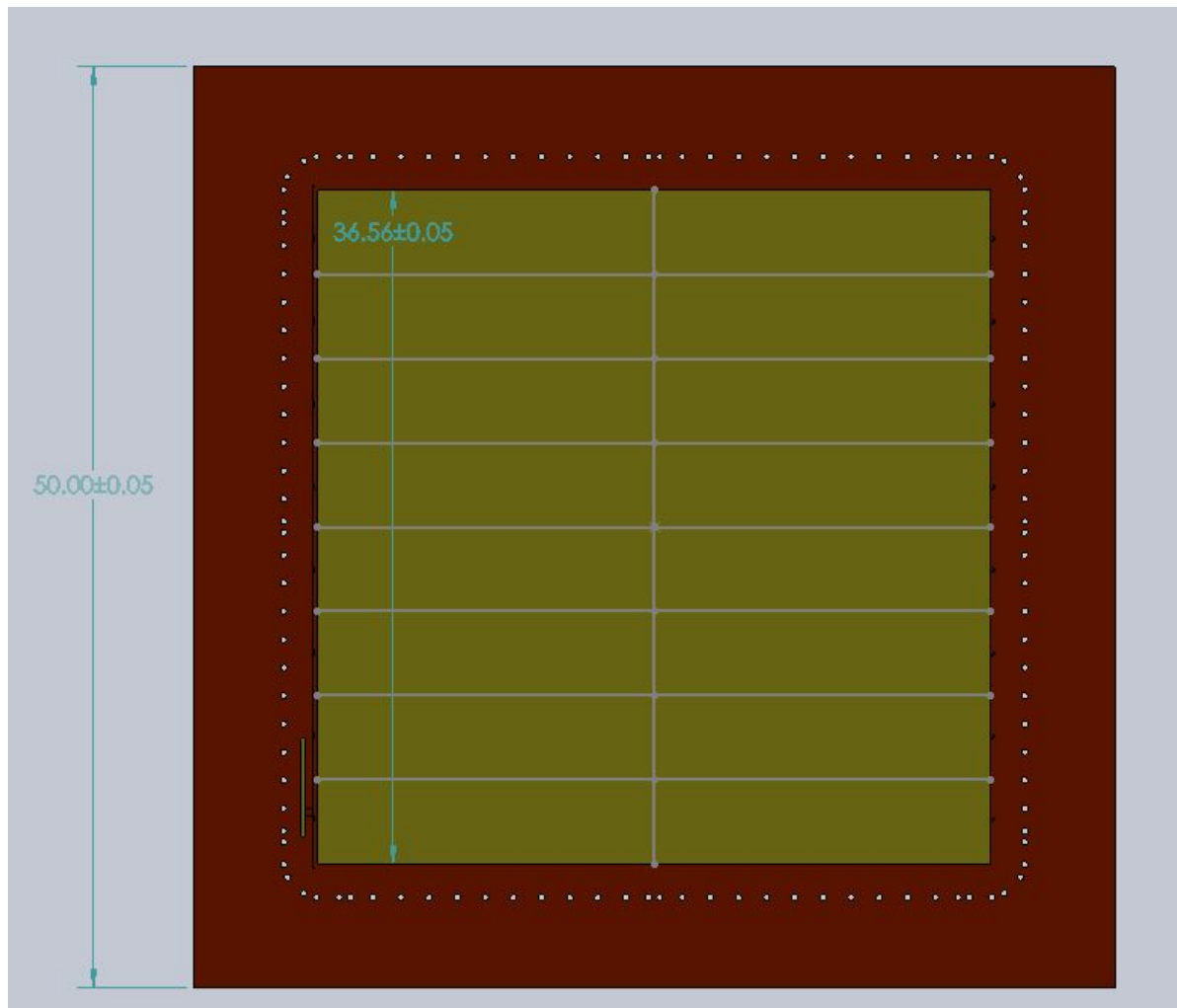
Update 4/9/2026

Pietro Iapozzuto: piapozzuto2015@my.fit.edu

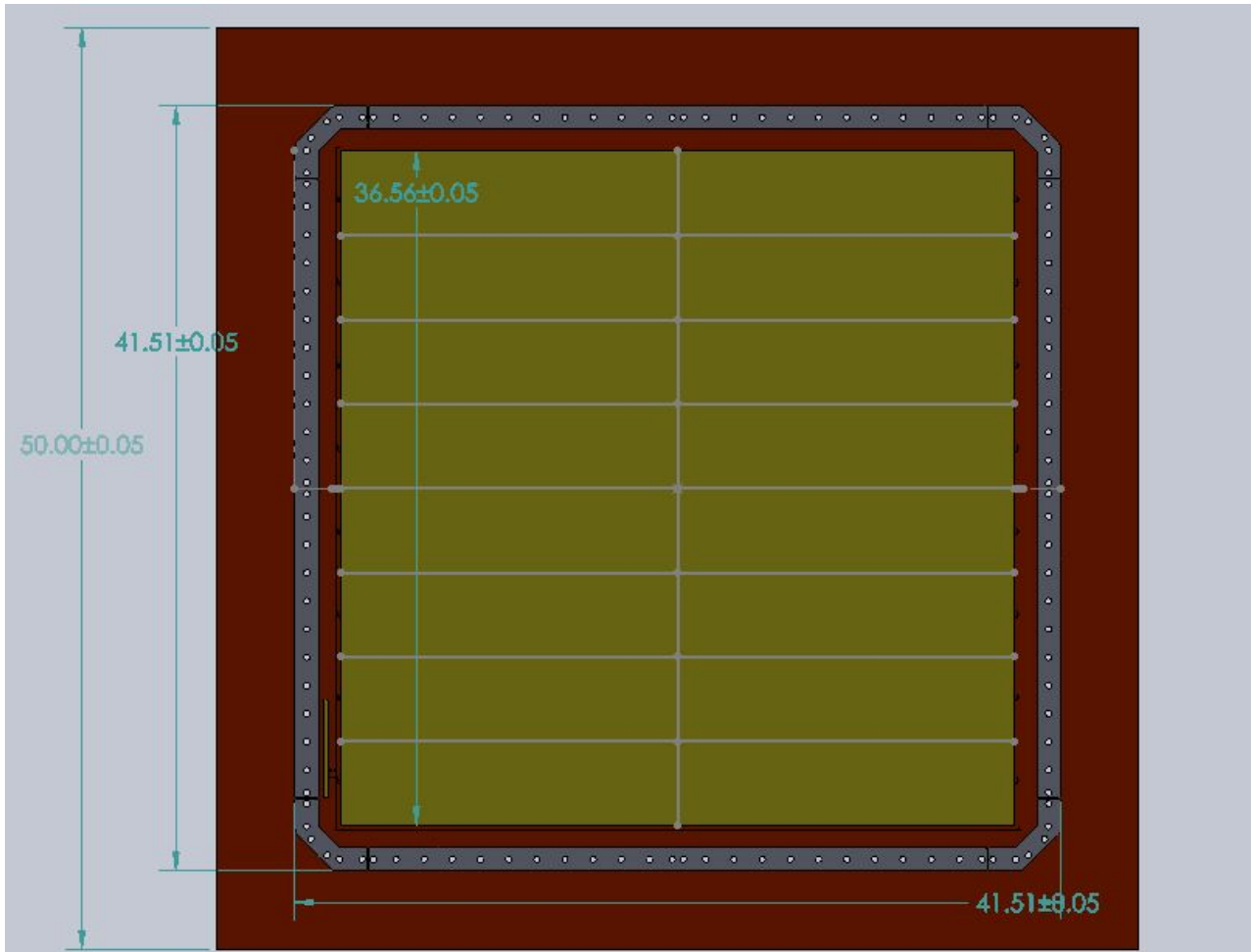
Dr. Marcus Hohlman: hohlmann@fit.edu



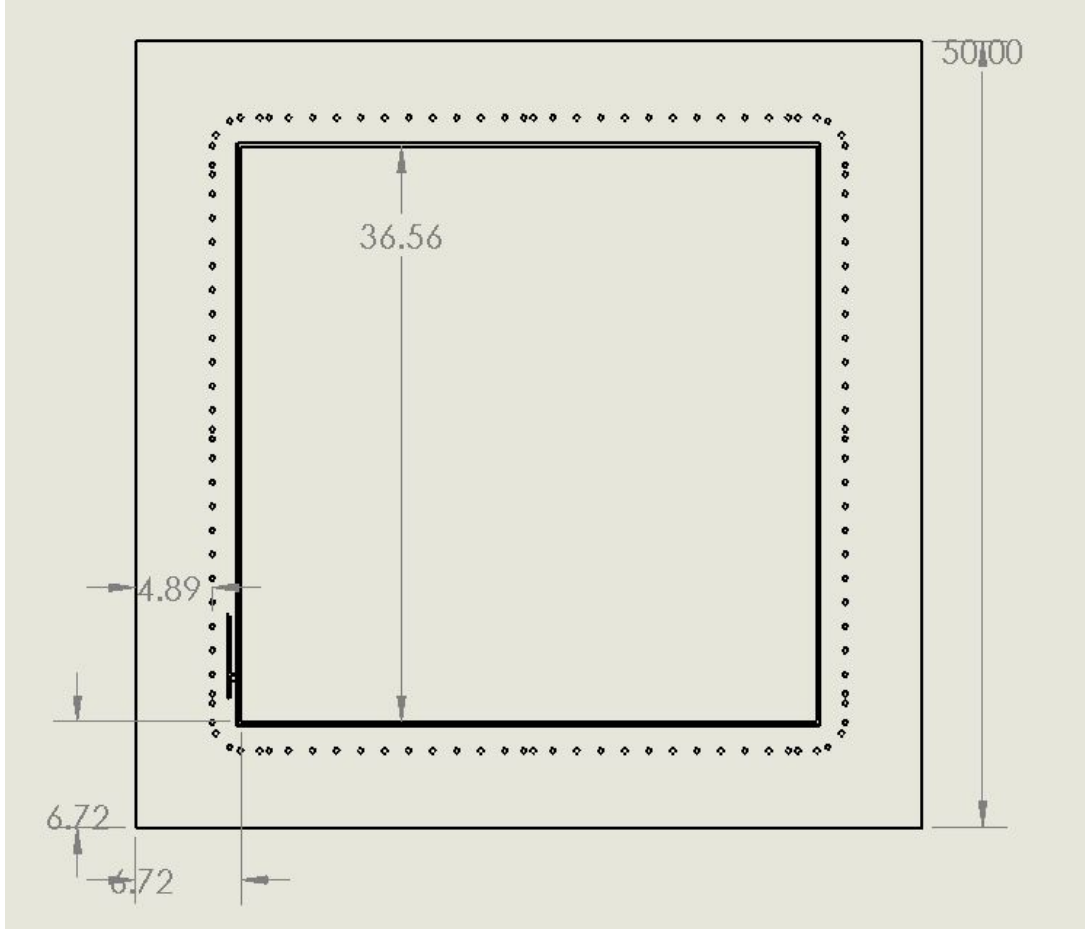
Gem Foil Design For Bertrand



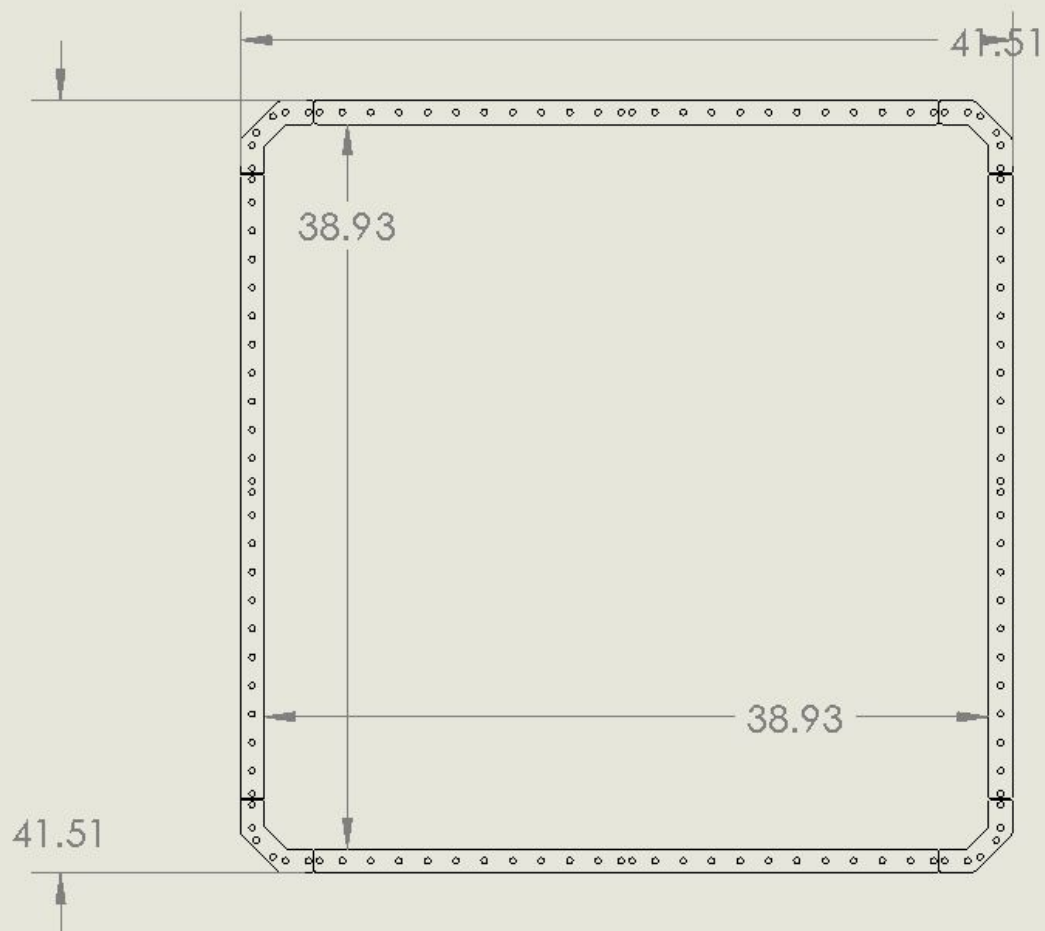
Gem Foil &
PEEK
Spacer



Drawing file



Gem PEEK Spacer Frame



Prototype Updates

- Received the PEEK for the Gem Spacers
- In process of machining the Innerframe stretching pullout pieces