



eRD6

Matt Posik

Tracking

Support Ring Structure Geometry

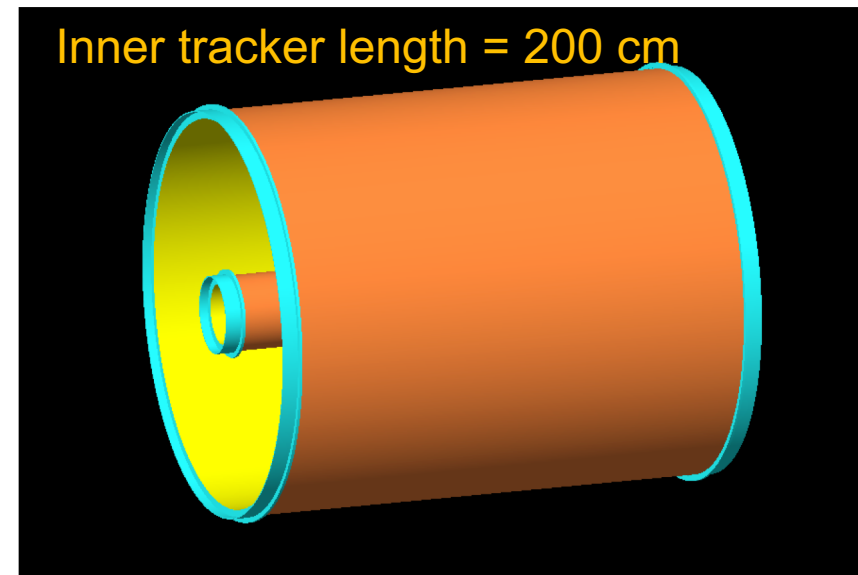
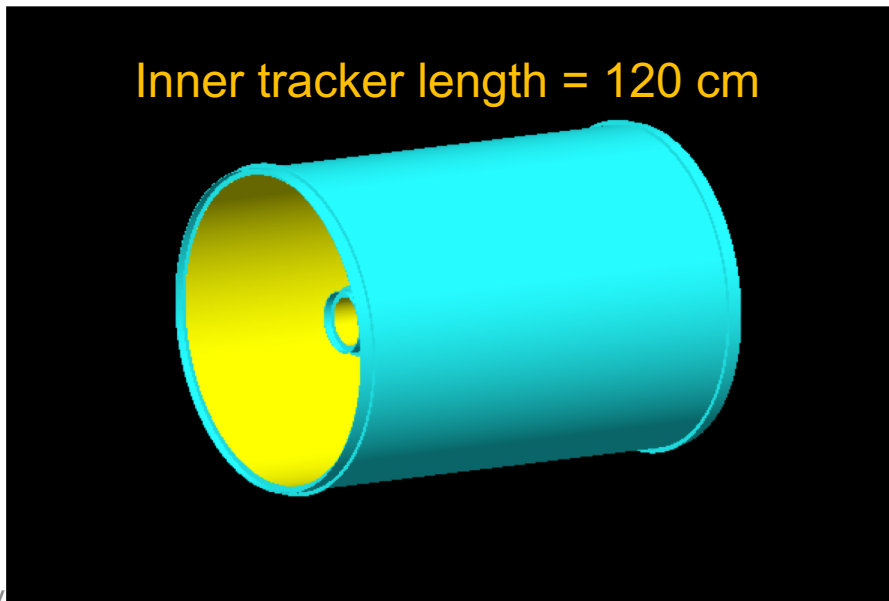
- Tube: thickness = 0.5 cm, length = 7.2 cm
- Ring (inner): thickness = 1.6 cm, length = 1.2 cm
- Ring (outer): thickness = 0.5 cm, length = 1.2 cm

Material Scan

- 2 micro-Rwell cylinders
 - Inner det. radius = 12.5 cm (length = 120 cm)
 - Outer det radius = 80.0 cm (length = 200 cm)

Matt Posik for eRD6

FIT mock prototype (support ring) Simulation implementation

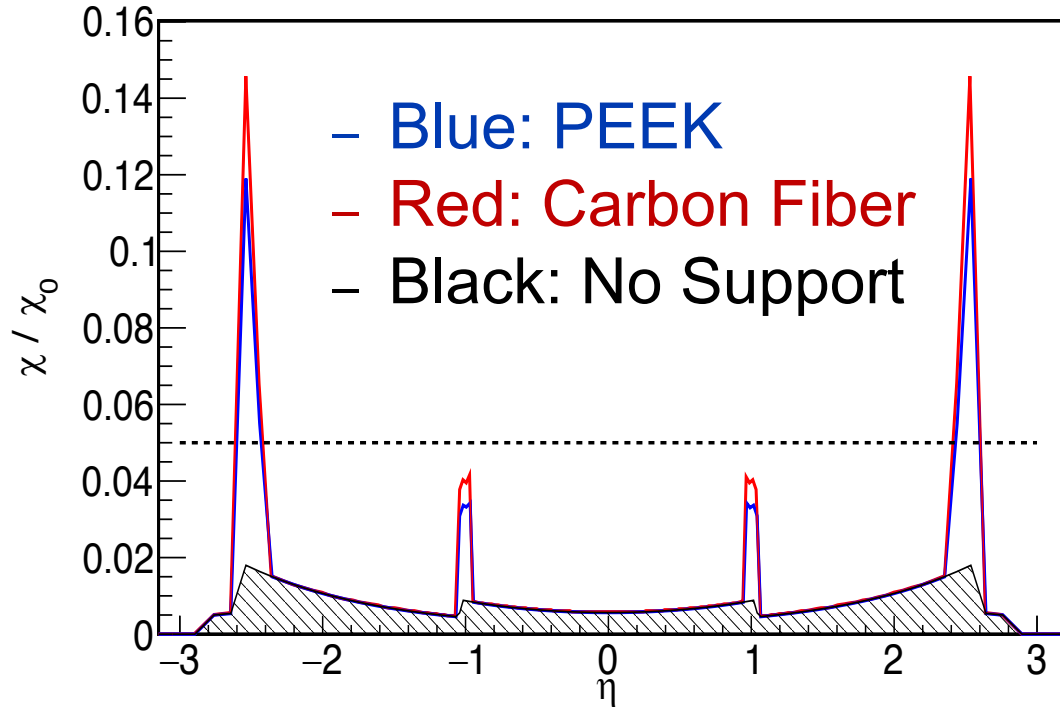


Tracking

□ Next Steps Implement

- supports every ~ 50 cm
- Readout card material
- endcap

Inner tracker length = 2.0 m
Outer tracker length = 2.0 m



Matt Posik for eRD6

Inner tracker length = 1.2 m
Outer tracker length = 2.0 m

