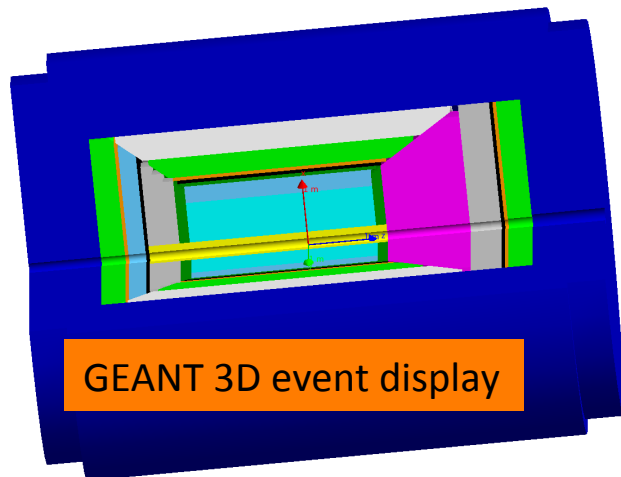
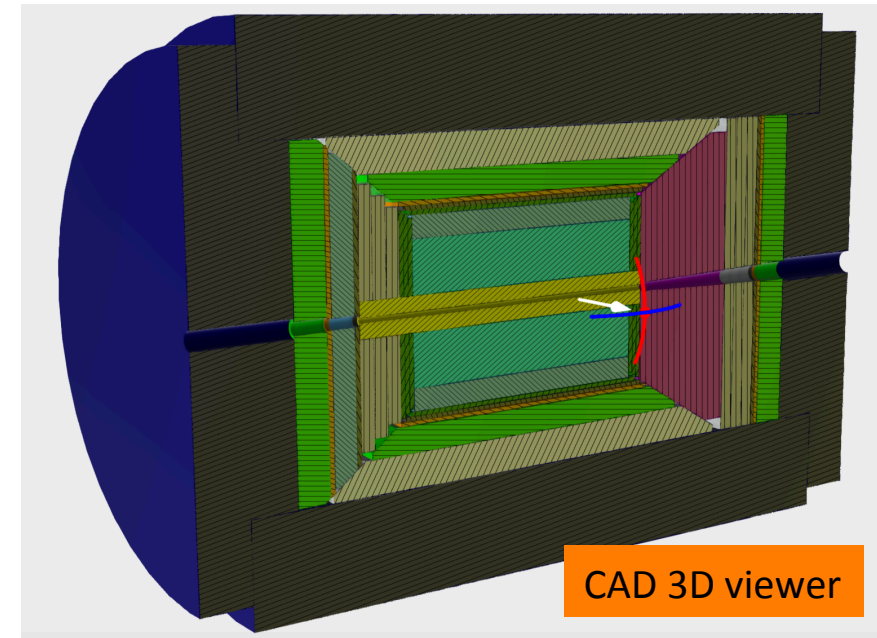
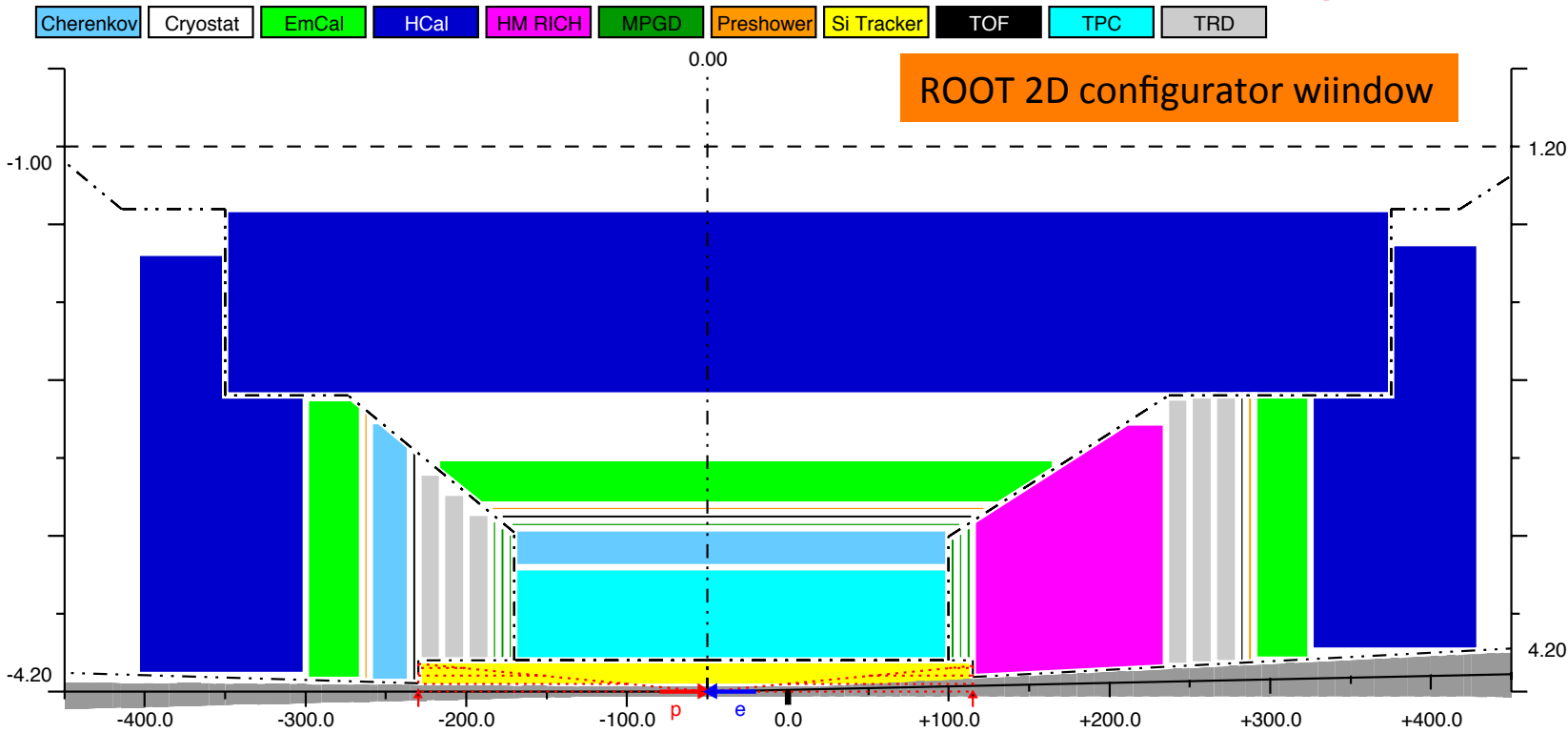


EIC Central Detector Integration software suite



- (More or less) flexible central detector configuration builder
 - Vertex, barrel and endcap stacks with non-trivial boundary overlap regions
 - Integrated parametric beam pipe description
 - Magnetic field $B_T * dl$ integral and beam pipe material scanner
- Models: custom .root file format, interface to GEANT and CAD
- As of today available at <https://github.com/eic/EicToyModel>