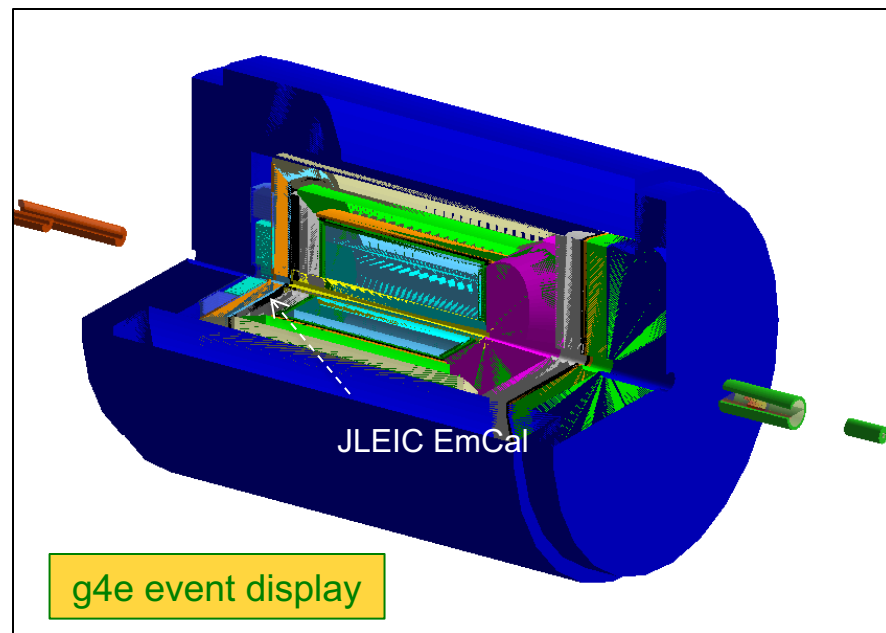
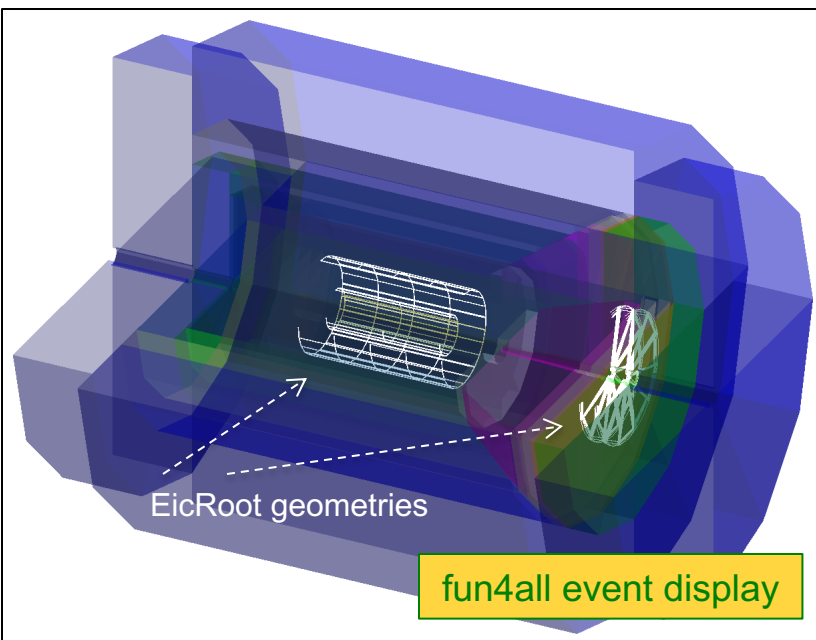
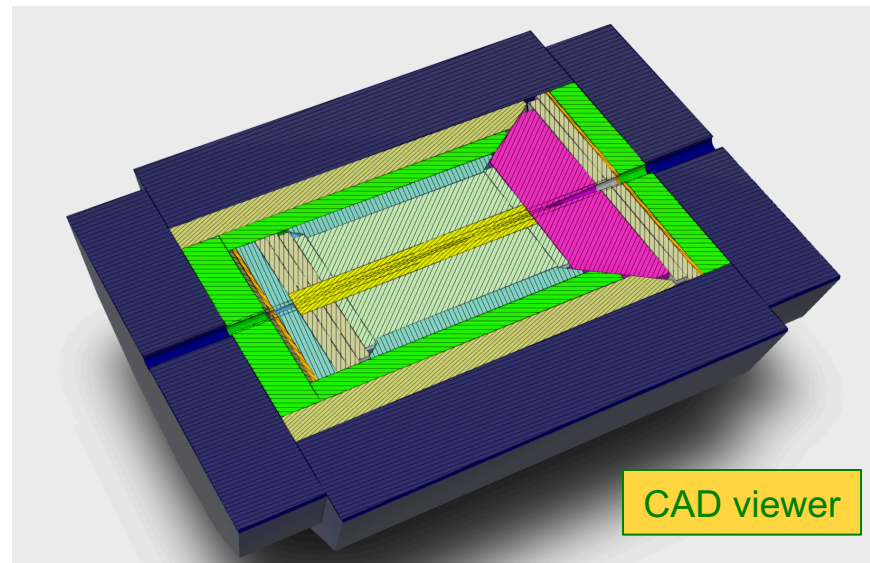
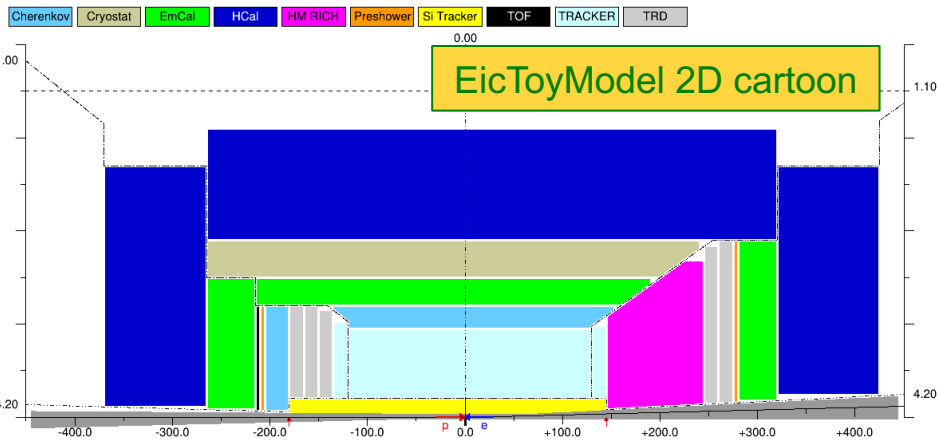


EIC Toy Model: recent developments

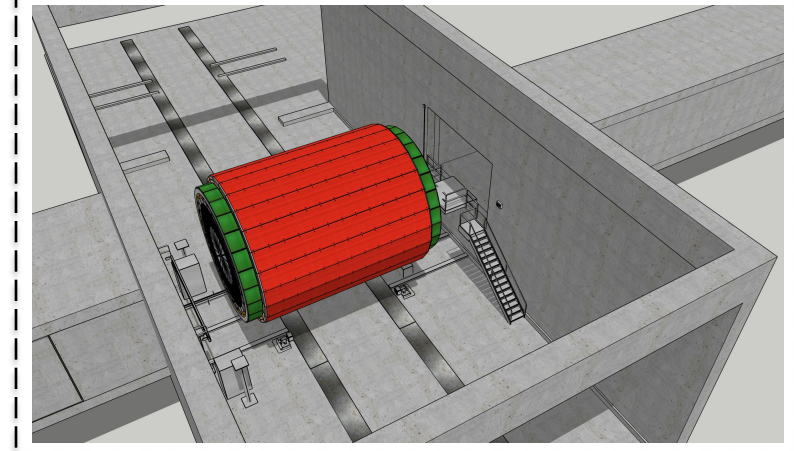
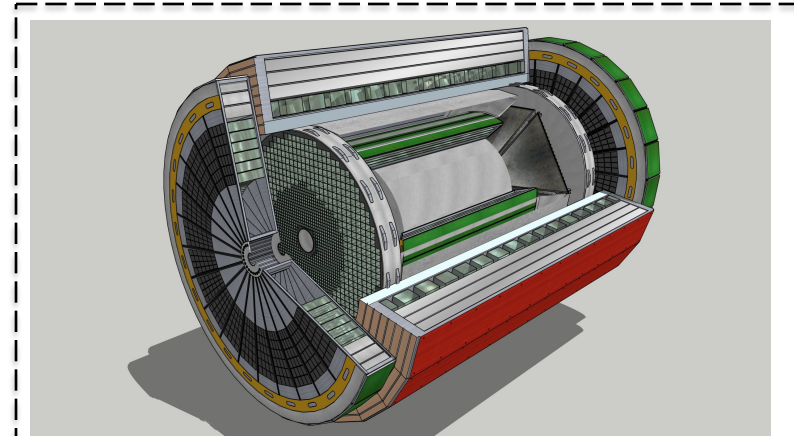
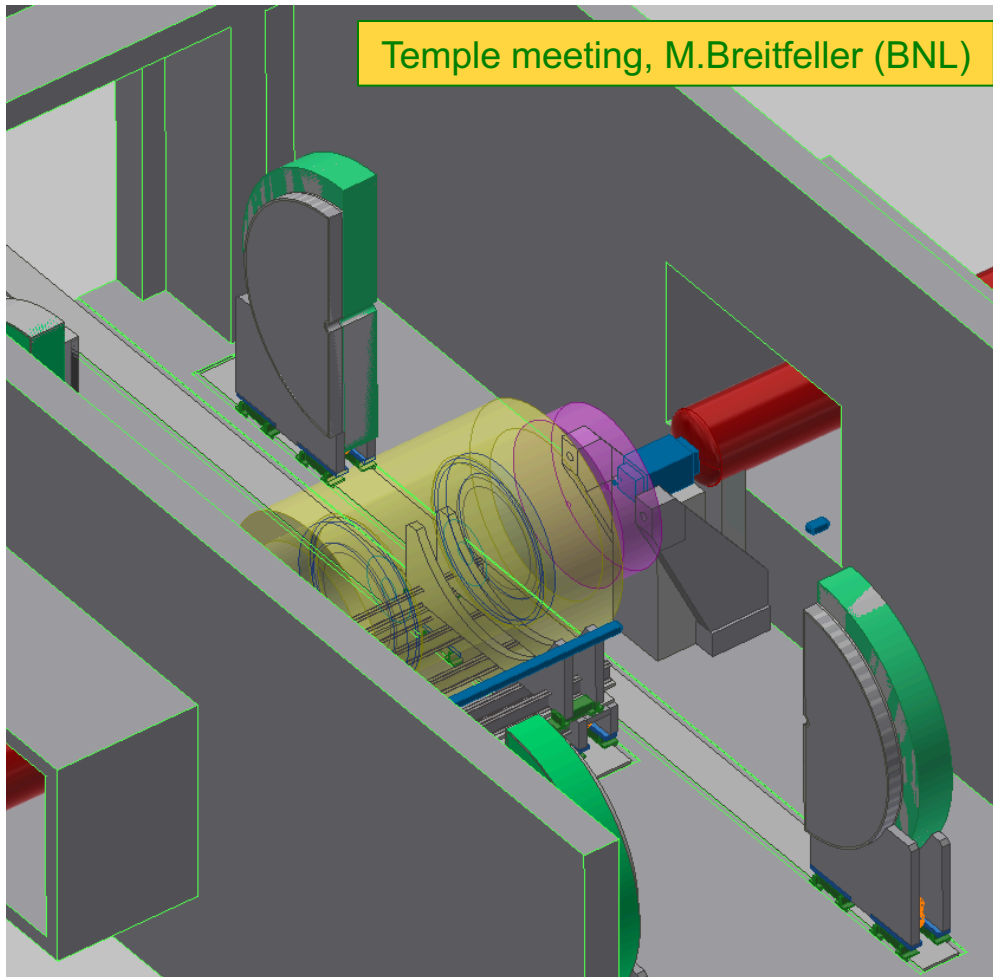
- **Last week EICUG meeting:**
 - ▶ A call asking to contribute to the EIC central detector layout discussion ...
 - ▶ ... with a goal of fixing a couple of configurations by around August 1
- **Technical stuff:**
 - ▶ Half of the EicRoot tracker geometries *kind of* moved to the EicToyModel
- **Documentation:**
 - ▶ Installation / running instructions for Catalina, Centos, Fedora, Ubuntu ...
 - ▶ ... as well as escalate Docker container and fun4all singularity / cvmfs
- **Few remaining items on the list:**
 - ▶ A working *actual interface* for escalate and fun4all
 - ▶ Services and dead material integration
 - ▶ Material handling and sensitive volume description of EicRoot shapes
 - ▶ Changes to the on-disk format to accommodate the recent user requests

EicToyModel: picture gallery

- The same model in all cases



Engineering effort: from Temple to Berkeley



These models will hopefully be in sync with the 2D cartoons and the GEANT detector layouts shown on the previous slide